

Truck Bed Storage Tool Box

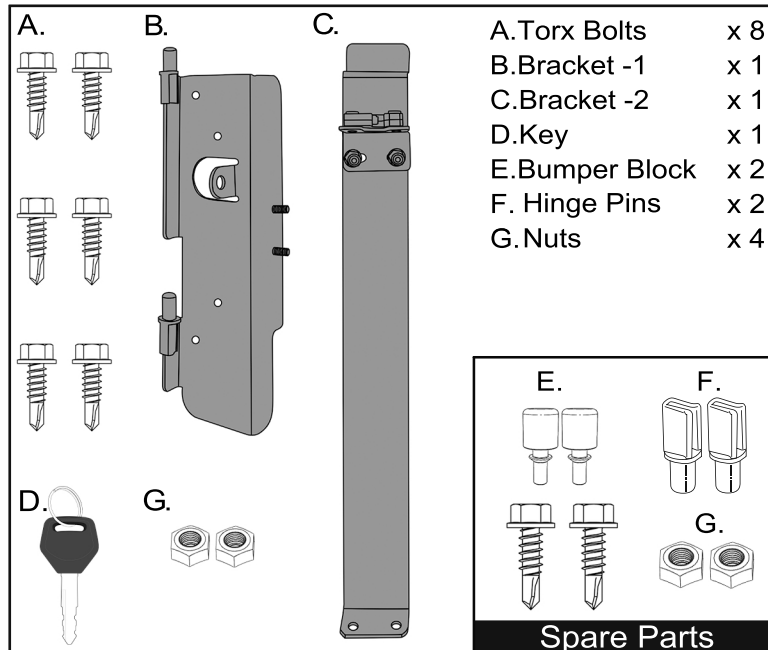
PTB006-Left Driver Side

Installation Guide

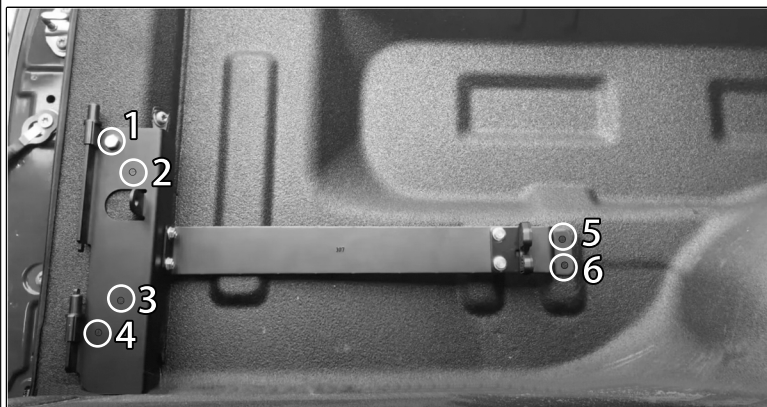
For Toyota Tundra 2007-2021

ⓘ **Special Note:** If your truck is equipped with bed liner or rugs, we do not suggest to install the Bracket-1 and Bracket-2 directly on the surface of the bed liner or rugs. You may need to properly trim the bed liner or rugs and attach the brackets onto the metal sheet of your truck bed. Please take essential safety precaution during the installation procedure. If you do not have enough installation skills, it is recommended to seek the help from a qualified mechanic.

Hardware Included

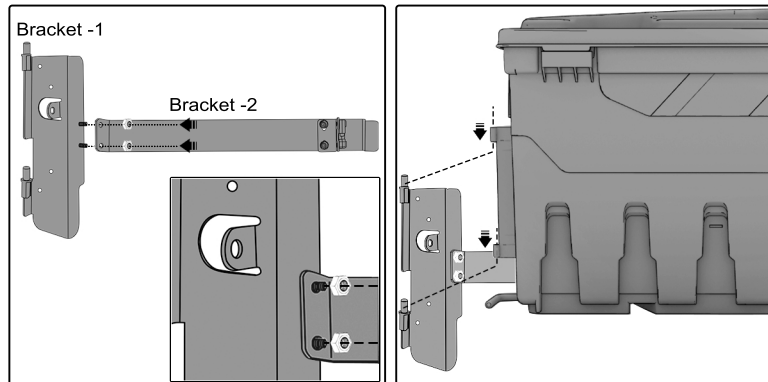


3 Install the Brackets to Truck Bed



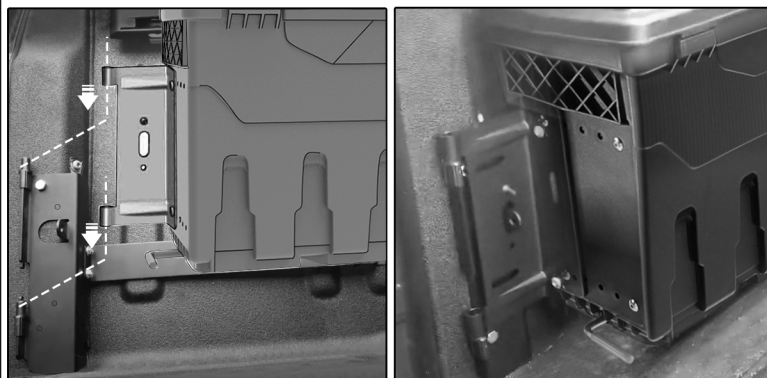
- Align the brackets to the marked mounting holes
- Tighten the Bracket-1 with 4 Torx Bolts from 1 to 4
- Tighten the Bracket-2 with 2 Torx Bolts from 5 to 6

1 Assemble Bracket-1 with Bracket-2



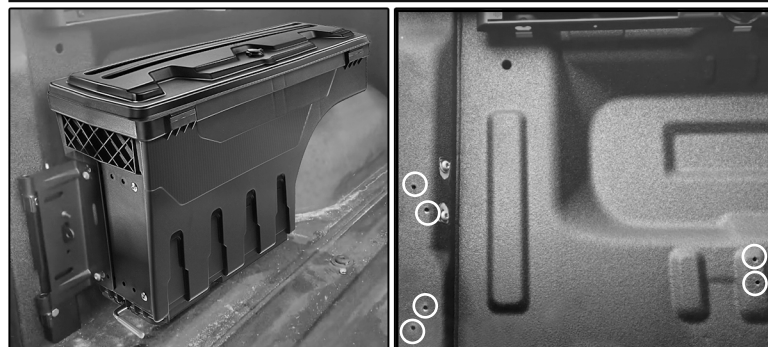
- Tighten two brackets with 2 Nuts
- Attach the Bracket-1 to the storage tool box

4 Install the Storage Tool Box



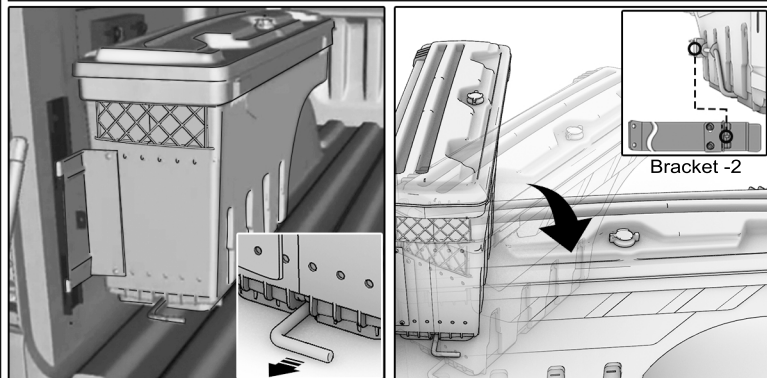
- Clasp the storage tool box onto the two Hinge Pins of Bracket-1
- Push the storage tool box to the stowed position

2 Determine the Mounting Holes



- Lay down tool box on truck bed to simulate its placement
- Determine and mark where you need to drill mounting holes

5 Test and Adjustment



- Pull the yellow latch to make sure the storage box rotates flexibly and latches smoothly
- Please make some small adjustment if it won't latch freely, just loosen the two bolts on the latch
- Installation completed