

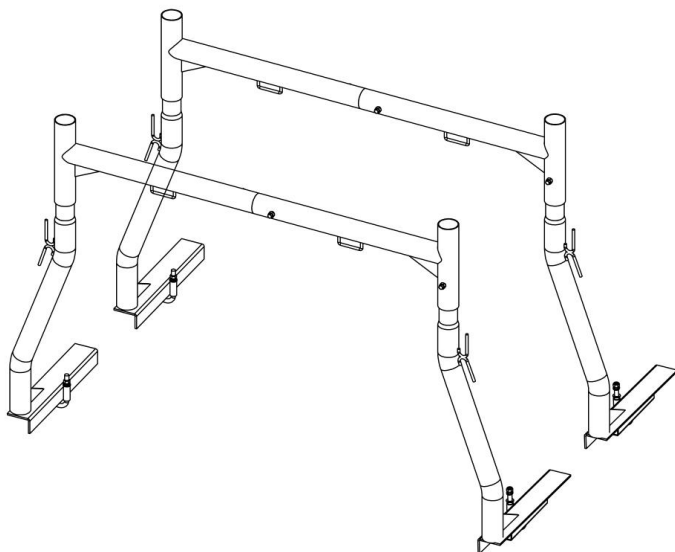
# **VEVOR<sup>®</sup>**

**TOUGH TOOLS, HALF PRICE**

## **HEAVY-DUTY PICK UP TRUCK RACK USER MANUAL**

We continue to be committed to provide you tools with competitive price. "Save Half", "Half Price" or any other similar expressions used by us only represents an estimate of savings you might benefit from buying certain tools with us compared to the major top brands and does not necessarily mean to cover all categories of tools offered by us. You are kindly reminded to verify carefully when you are placing an order with us if you are actually saving half in comparison with the top major brands.

Model: PKHJ3011C



### NEED HELP? CONTACT US!

Have product questions? Need technical support? Please feel free to contact us:

 [CustomerService@vevor.com](mailto:CustomerService@vevor.com)

This is the original instruction, please read all manual instructions carefully before operating. VEVOR reserves a clear interpretation of our user manual. The appearance of the product shall be subject to the product you received. Please forgive us that we won't inform you again if there are any technology or software updates on our product.



## **Safety & Warning**

- Read and understand this entire manual before assembling, installing, operating, or servicing this product. Failure to follow these warnings and instructions can cause death, personal injury or damage to valuable property.
- Adhere to all Department of Transportation (D.O.T.) requirements when using this product. Use ropes and tie downs (not included) to securely hold all cargo in place.
- Do not overload the Ladder Rack. Never exceed the maximum weight capacity of 800 Lbs. (this is front and back rack combined capacity.)
- Make sure the vehicle is in a safe place for loading ladders and other cargo. Make sure the vehicle's engine is OFF, with parking brake set, before loading or unloading the Ladder Rack.
- Do not use to hold or restrain human or animal weight in any manner.
- When assembly is complete, check and test all vehicle systems including lights and brakes; make sure no damage occurred during product installation.
- This Ladder Rack is designed to carry ladders, lumber, piping, rebar, sports equipment and other long materials. Do not modify the Ladder Rack and do not use this product for purposes that it was not designed for.
- Before and after each use, check to make sure that all hardware is tightly secured. Regularly inspect for damage. If fraying or distortion is found, immediately discontinue use.
- Use common sense when working. Stay alert and concentrate when setting up and using the Ladder Rack. Never work while under the influence of alcohol, drugs or medications.
- While assembling and using the Ladder Rack keep work area clean and well lighted. Keep spectators and children out of the work area.
- Dress appropriately. Never wear loose fitting clothing or jewelry when working. Contain long hair, and keep hair, clothing and gloves away from moving parts

## Specifications

Model Series	PKHJ3011C
Maximum weight capacity(Lbs)	800
Adjustable width	46-71inch (1170-1803mm)
Gross Weight(kg)	24.2
MEAS(mm)	790×375×200

## Package Contents

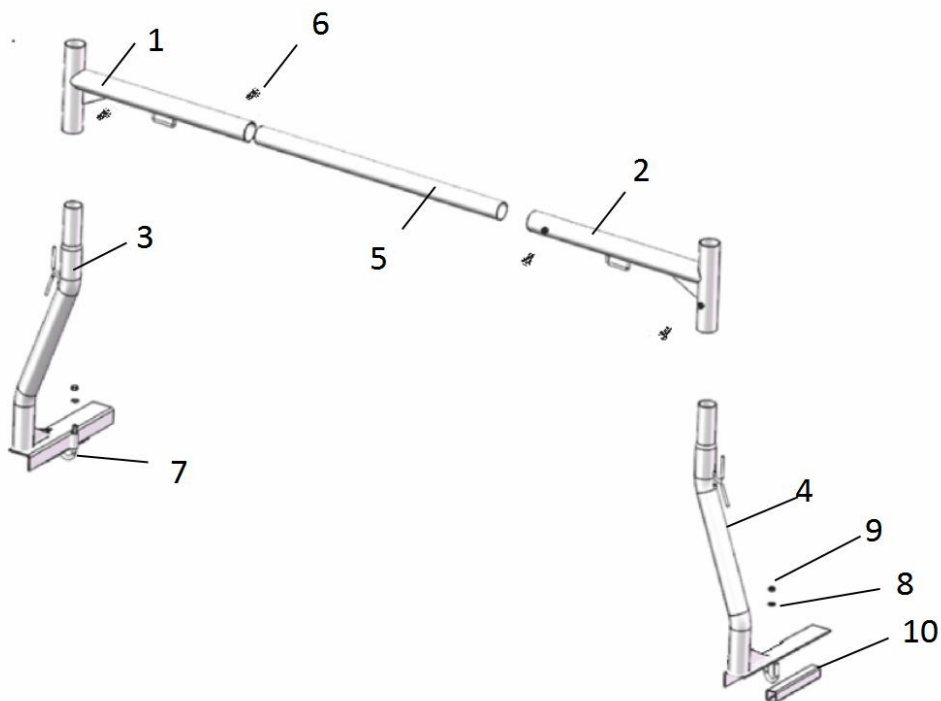


figure 1

Part	Description	Qty
1	Left Cross Bar	2
2	Right Cross Bar	2
3	Left Support Tube	2
4	Right Support Tube	2
5	Intermediate Pipe	2
6	M10×20 Bolt	8
7	J Type Bolt	4
8	M10 Washer	4
9	M10 Lock Nut	4
10	Bottom Support Square Pipe	4

## Installation Guide:

### Step 1

Put the left support tube(3) onto the rail of the truck bed by 1pcs J type bolt (7)and bottom support square pipe (10) , M10 washer(8), M10 lock nut(9), repeat the above step for another one and the two right cross bar(2). And the left support tube and the right support tube must on the same line,finally tighten the nut.Show as figure 2

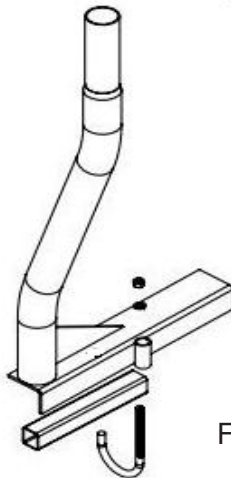


Figure2

### Step 2

Put the Intermediate pipe(5) into left cross bar (1) and right cross bar (2) at proper position. Twist the bolt (6) into the nut on the left and right cross bar. Show as figure 3.

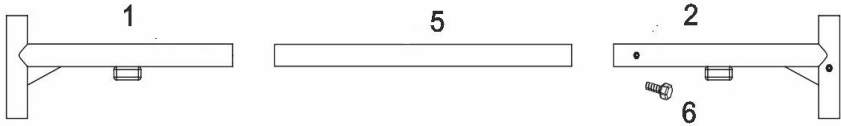


figure 3

figure 5

### Step 3

Put the left and right cross bar(The step2 to assemble the components) onto the left and right support tube(The step1 to assemble the components), and screw the two bolts (6).

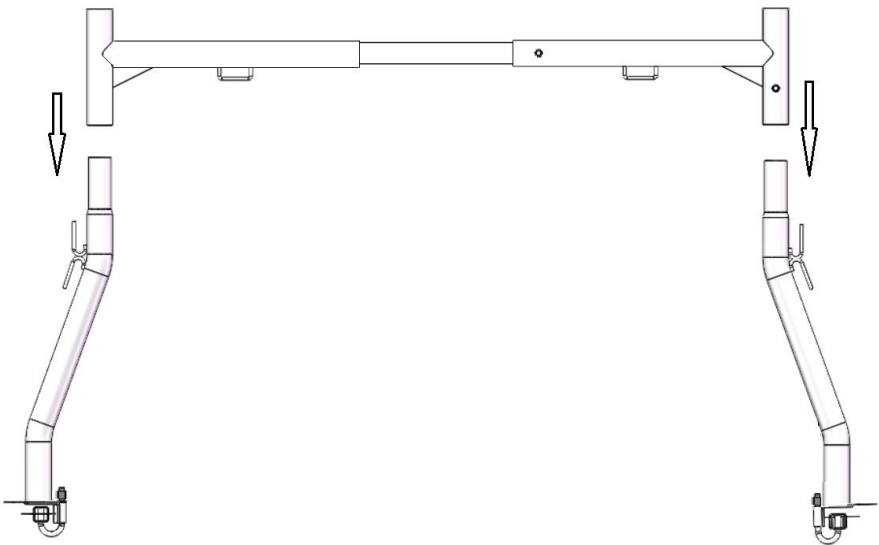


figure 4

Step 4.

Repeat the above steps to assemble the other pick up ladder rack to the truck bed rail, please note the distance of the two racks is suitable for your need.



EUREP UK LTD  
UNIT 2264, 100 OCK STREET, ABINGDON  
OXFORDSHIRE ENGLAND OX14 5DH



EUREP GmbH  
Unterlettenweg 1a, 85051  
Ingolstadt, Germany

Importer: WAITCHX

Address: 250 bis boulevard Saint-Germain 75007 Paris

Importer: FREE MOOD LTD

Address: 2 Holywell Lane, London, England, EC2A 3ET

Manufacturer: Ningbo beilun Reynol mechanical CO.,Ltd

Address: NO 105, Putuoshan RD, Beilun, Ningbo

Made in China

**VEVOR**<sup>®</sup>

**TOUGH TOOLS, HALF PRICE**

Support and E-Warranty Certificate

<https://www.vevor.com/support>

Made In China