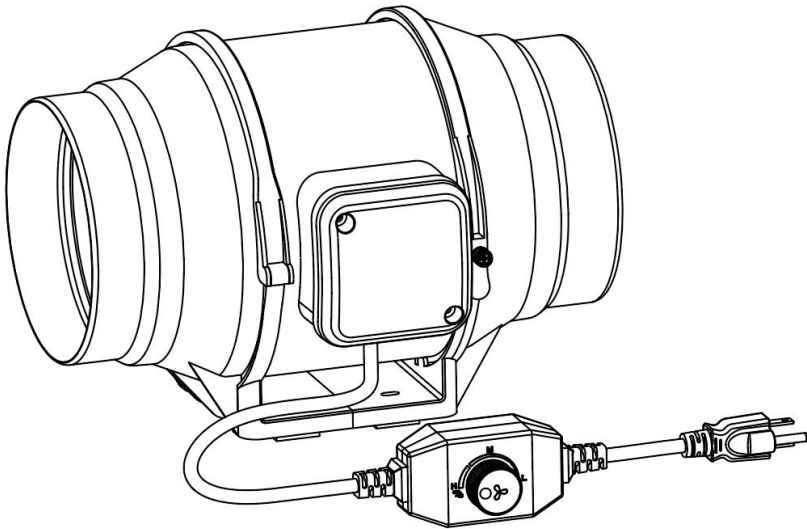


VEVOR[®]

TOUGH TOOLS, HALF PRICE

VENTILATION FAN USER MANUAL

We continue to be committed to provide you tools with competitive price. "Save Half", "Half Price" or any other similar expressions used by us only represents an estimate of savings you might benefit from buying certain tools with us compared to the major top brands and does not necessarily mean to cover all categories of tools offered by us. You are kindly reminded to verify carefully when you are placing an order with us if you are actually saving half in comparison with the top major brands.



<Picture Only For Reference>

NEED HELP? CONTACT US!

Have product questions? Need technical support? Please feel free to contact us:









CustomerService@vevor.com









This is the original instruction, please read all manual instructions carefully before operating. VEVOR reserves a clear interpretation of our user manual. The appearance of the product shall be subject to the product you received. Please forgive us that we won't inform you again if there are any technology or software updates on our product.

【Contents】

- I、SAFETY PRECAUTIONS
- II、PRODUCT DESCRIPTION
- III、INSTALLATION
- IV、DIMENSION AND SPECIFICATION
- V、POWERING AND SETUP
- VI、CLEANING
- VII、PROGRAMMING
- VIII、FAQ
- IX、ATTENTIONS

SAFETY PRECAUTIONS

 WARNING	<p>Improper operation may cause personal injury. Improper operation may cause damage to the machine. Improper operation may cause others object damage.</p>
	<p>The symbol indicates that the user should pay high attention to and pay attention to the drawing shows the situation to be noted, and the left figure shows "Be careful of electric shock"</p>
	<p>Disconnect the fan when moving from one location to another.</p>
	<p>Do not use a power supply that does not meet the rated voltage The use of non compliant power supplies can cause fire or electric shock.</p>
	<p>If the machine emits smoke, odor, motor noise and other abnormal conditions, Please do not use it. It may cause fire or electric shock</p>
	<p>Do not disassemble, repair or rectify the machine during use. Doing so may result in fire or electric shock and personal injury</p>

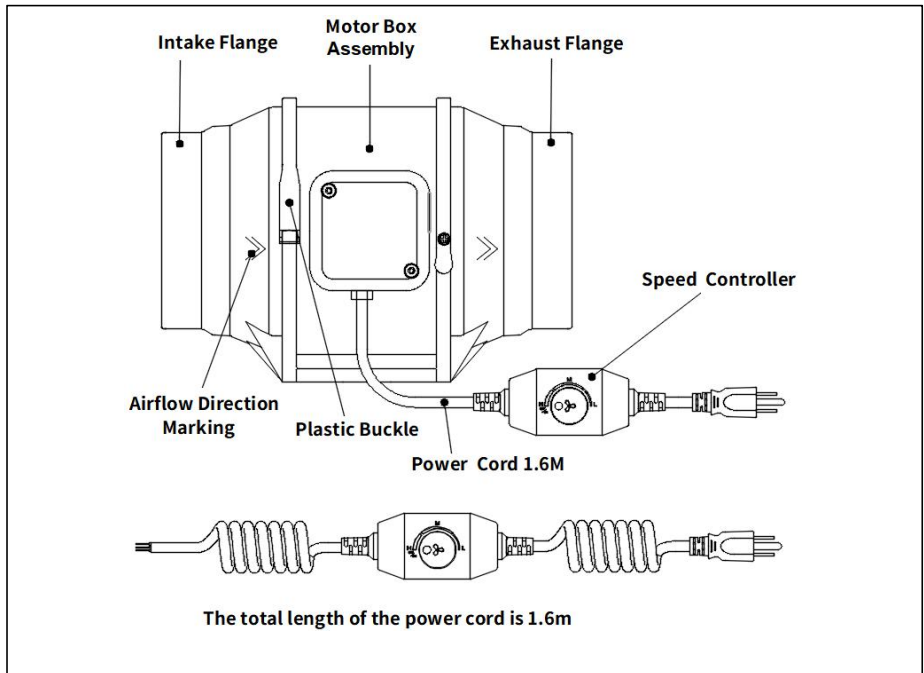
	BE CAREFUL
	DO NOT use fan in window. Rain may create electrical hazard.
	Do not damage or arbitrarily change the original power cord, and do not bend, forcibly pull, bind or press the power cord under heavy objects. This will damage the power cord, causing electric leakage fire or electric shock
	If the machine is not used for a long time, please unplug the power cord from the socket
	If the power cord is damaged, contact your local service center or a qualified electrician to install an appropriate replacement cord to prevent any injury or damage
	Never insert fingers, pencils, or any other object through the guard when fan is running.
	When the power cord is unplugged from the socket, the plug should be unplugged. Do not pull the power cord to forcibly pull the wire, which may cause damage to the wire and lead to leakage or electric shock
	Please disconnect the power supply when cleaning

PRODUCT DESCRIPTION

TECHNICAL PARAMETER

Brand	VEVOR		
Model	BT-FL14A	BT-FL16A	BT-FL18A
Voltage	120 V	120 V	120 V
Frequency	60 Hz	60 Hz	60 Hz
Power	31 W	60 W	126 W
Speed	2550 RPM	2600 RPM	2500 RPM
Duct Size	Φ 100/Φ 125	Φ 150/Φ 160	Φ 200
Power Cord Length	1.6 M	1.6 M	1.6 M
Working Ambient Temperature	-10~ 45 °C	-10~ 45 °C	-10~ 45 °C

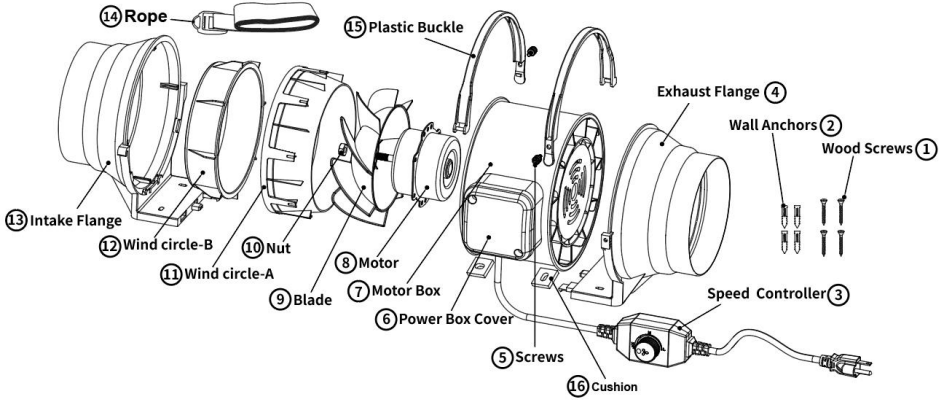
PRODUCT STRUCTURE DIAGRAM



INSTALLATION

***TIPS!** Prepare tools in advance:

Cross screwdriver, Hammer



PARTS LIST:

NO	PARTS	Quantity
1	Wood Screws	4
2	Wall Anchors	4
3	Speed Controller	1
4	Exhaust Flange	1
5	Screw	2
6	Power Box Cover	1
7	Motor Box	1
8	Motor	1

NO	PARTS	Quantity
9	Blade	1
10	Nut	1
11	Wind circle-A	1
12	Wind circle-B	1
13	Intake Flange	1
14	Rope	2
15	Plastic Buckle	2
16	Cushion	4

Installation method:

Step 1 :

- 1、 Unscrew and loosen the plastic buckle using a Phillips screwdriver See the(Fig.1.)
- 2、 Remove the motor box assembly from the flange bracket.See the(Fig.2.)
- 3、 Use the flange bracket to set your desired fan position. Mark the four mounting holes.See the (Fig.3.)
- 4、 Drill four holes into the marked locations. Make sure your mounting area is structurally sound and free from obstruction.See the(Fig.4.)

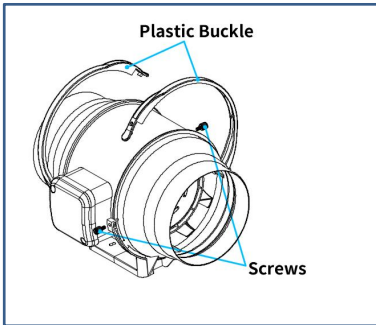


Fig.1.

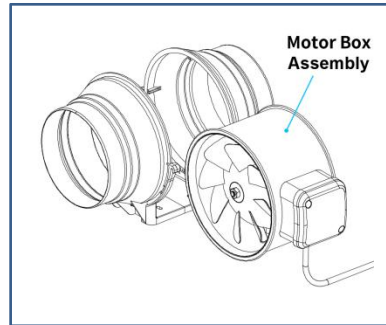


Fig.2.

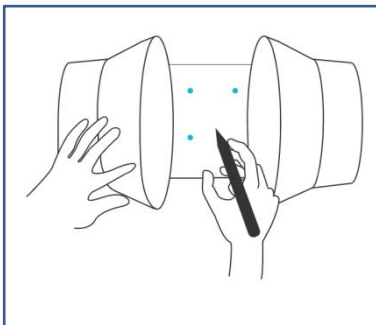


Fig.3.

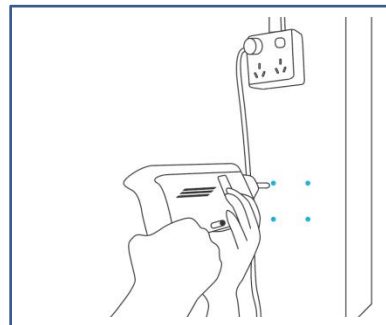


Fig.4.

Step 2:

- 1、 If you are mounting onto anything other than a wood support or stud, insert the included four wall anchors into the drilled mounting holes. You may need to use a hammer to secure them through the holes. See the (Fig.5.)
- 2、 Paste the cushion onto the flange bracket to ensure that the hole of the cushion is aligned with the hole of the flange bracket. See the (Fig.6.)
- 3、 Align the flange bracket's holes with the wall anchors. Screw in four wood screws with a screwdriver or drill to secure the flange bracket. Make sure its airflow arrow is pointing in your desired direction. See the (Fig.7.)
- 4、 Slide the motor box back into the flange bracket, making sure its airflow arrow is pointing in the same direction as the flange bracket's arrow. See the (Fig.8.)

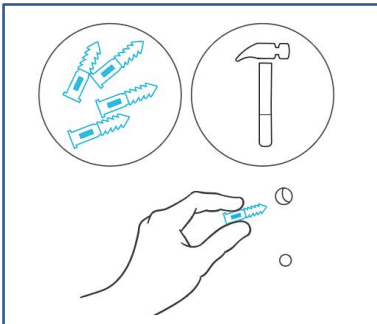


Fig.5.

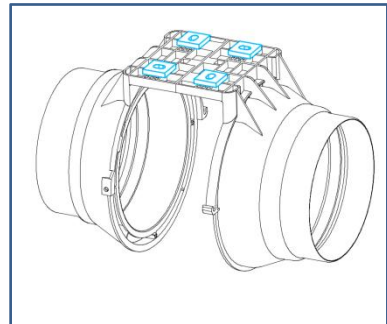


Fig.6.

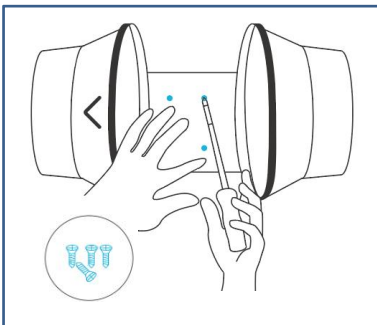


Fig.7.

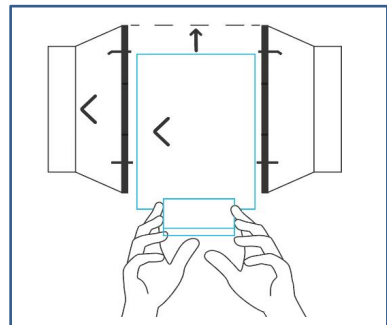


Fig.8.

- 5、 Place the plastic clamps back onto the flanges and tighten the screws back to secure the motor box. See the (Fig.9.)

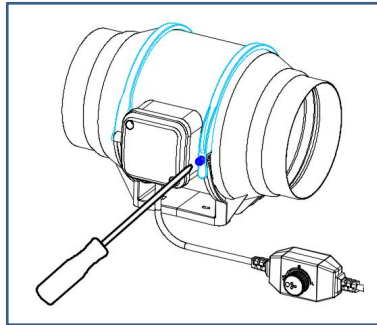


Fig.9.

Step 3:

- 1、 If installing ducting, purchase a suitable duct and duct clamp and secure it to both ends of the fan to ensure tight sealing. Finally tighten the air duct clamp with a screwdriver. See the (Fig.10.)
- 2、 If installing with rope hangers, loop the ropes around the flanges and tighten the rope to secure the fan. See the (Fig.11.)
- 3、 Connect the power cord, turn on the switch to check whether the fan is running, then finish the installation.

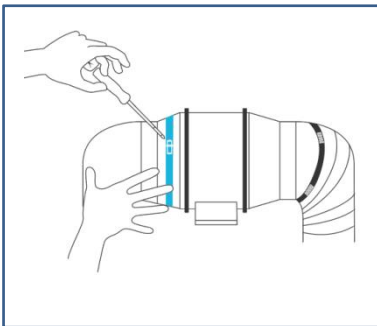


Fig.10.

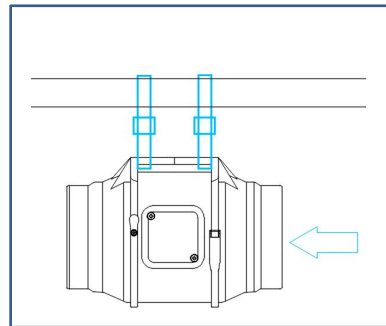
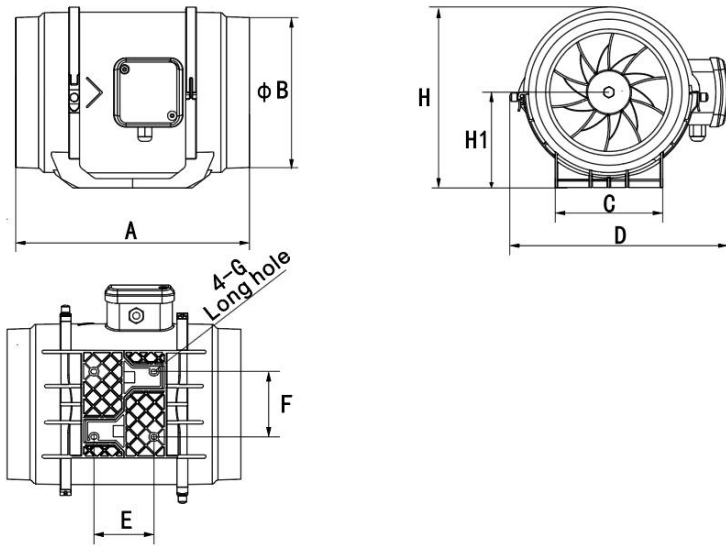


Fig.11.

DIMENSION

1、 Dimension



Unit: mm

Model	A	ϕB	C	D	E	F	G Long hole	H	H1
BT-FL14A	302	$\phi 98$	102	235	60	77	10X5	191	102
BT-FL16A	308	$\phi 148$	120	255	59	77	10X5	214	114
BT-FL18A	302	$\phi 197$	140	275	60	110	10X5	235	126

HOW TO USE

Speed control

The controller has a button, and the fan speed is stepless. Turn the button to adjust the wind speed from the highest to the lowest, and select the wind speed you need. See the (Fig.12.)

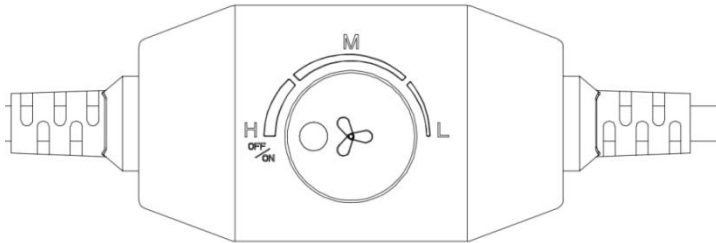


Fig.12.

Tip: Slight motor sound is normal when running at low speed

MAINTENANCE

1. Regular maintenance is needed each year. Please power off before maintaining
2. Please DO NOT use such chemicals as gasoline, benzene and diluent to wipe the fan
3. Please DO NOT let water into motor and electric parts, and make the plastic parts in merge into water with temperature higher than 60 °C
4. This appliance can be used by children aged from 12 years and above and persons with reduced physical sensory or mental capabilities or lack of experience and know edge if they have been given supervision or instruction concerning use of the appliance in a safe way an understand the hazards involved Children shall not play with the appliance. Clean and user maintenance shall not be made by children without supervision
5. If the power line is damaged, to avoid danger, it should be changed by the factory, its maintenance department or qualified professionals.

CLEANING

Step 1:

Remove the motor box from the mounting flange. (Refer installation steps 1 to learn how to of the mounting installation section to learn how to remove the motor box). (Fig.13.)

Step 2:

Use a damp cloth to clear the impeller and fan blades of any dust and debris. Remove the wind circle in between the motor box and input flange. (Fig.14.)

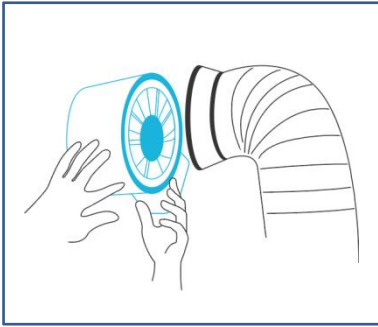


Fig.13.



Fig.14.

Step 3:

Clear the stator blades of any dust and debris on the opposite end. Clean the area inside the output and exhaust flanges. (Fig.15.)

Step 4:

Secure the motor box onto the mounting flanges. Refer installation step 2-3 to learn how to flanges. secure the motor box. (Fig.16.)

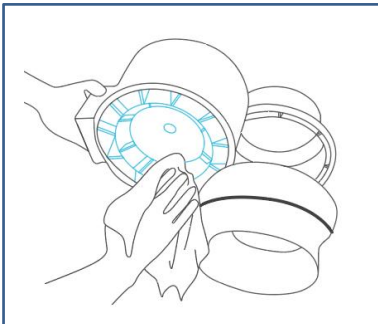


Fig.15.

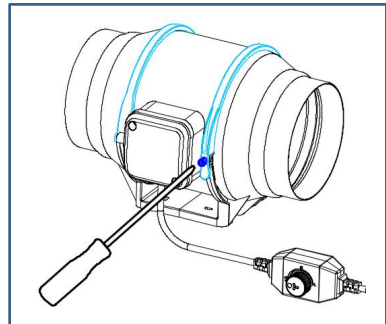

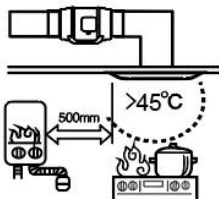
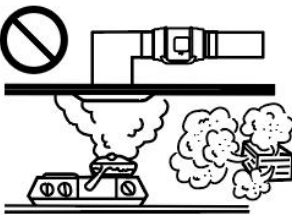
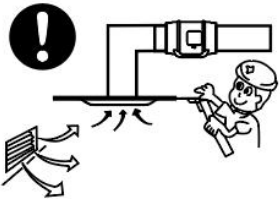

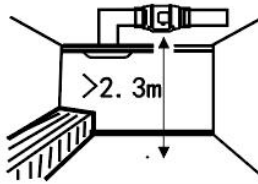

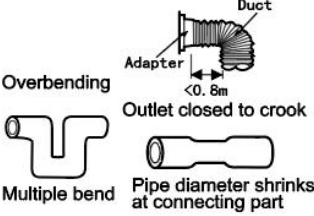
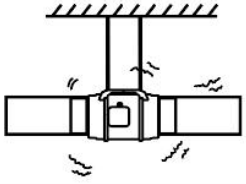



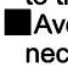



Fig.16.

ATTENTIONS

<p> High-temperature places forbidden.</p> 	<p>Places with overmuch lampblack or steam forbidden.</p> 	<p>Please set up vent and spot inspection.</p> 
<p> Installation height should be more than 2.3 m.</p> 	<p> Below connection way of air duct is forbidden.</p> 	<p>Should be firmly installed. Gradient installation forbidden.</p> 
<p> Direct spraying or cleaning by water or other liquid is forbidden. This may cause short circuit or electric shock.</p> <p> Installation on window or outdoor is forbidden.</p> <p> When connected to power supply, all-pole power switch with more-than-3mm contact separation is necessary to be installed on the power supply circuit. Please do the connection according to the local electrical equipment technical regulations.</p> <p> Avoiding air reflux via open air flue or other fired equipment is necessary.</p> <p> Earthing device is necessary. Or will cause electric shock when breaking down or electric leakage occurs.</p>		

This product is subject to the provision of Europe an Directive 2012/19/EC. The symbol showing a wheelie bin crossed through indicates that the product requires separate refuse collection in the European Union. This applies to the product and all accessories marked with this symbol. Products marked as such may not be discarded with normal domestic waste, but must be taken to a collection point for recycling electrical and electronic devices.



Manufacturer: Bote electric appliance(Guangdong)Co.,Ltd
Address: 5TH floor,No.28,area 1,Sanlian Industrial Zone,Gulao Town,Heshan City,Jiangmen,Guangdong

MADE IN CHINA

VEVOR[®]

E-mail: CustomerService@vevor.com