

Please read all the instructions before attempting to use this product.

★ Product Characteristics:

- The Thermoelectric Cooler and Warmer is an effective means of keeping your food and drinks cool during the summer and warm during the winter. Manufactured to fit in your car; it's perfect for long drives, commuting, road trips and camping. You'll always be able to enjoy fresh food and drinks without having to worry about storage.
- The lightweight design and convenient carrying handle on the Thermoelectric Cooler and Warmer allows it to be carried easily by hand even when full.
- The AC and DC plugs on the device make it ideal for use in a car as well as indoor use.
- USB plug will charge phones and other devices. USB wire not included.
- Connect Bluetooth device to play music when the cooler is working .
- Digital display and controls allow you to set the exact temperature inside the Cooler and Warmer.
- Above all, the Thermoelectric Cooler and Warmer is completely safe, being free of pollution, and by employing a semiconductor rather than using a compressor or cryogen. The Thermoelectric Cooler and Warmer consumes very little power and will also stand the test of time.

★ Applications:

- Great for picnics, camping and fishing trips when cold drinks and warm food are a necessity.
- Eliminate the need for bulky coolers filled with ice.
- Perfect for long road trips or taxi and truck drivers who may not have time to stop for food and drinks.
- Bring your breakfast or lunch on your commute in your car and save time on the way to work.

- Great for mothers storing breast milk at the desired temperature.
- Discreet storage for medicine that needs to be kept at a lower temperature.
- If kept closed the appliance will retain its internal temperature for up to five hours. This means you can take it out of your car and bring it on the go without having to worry about food spoiling or drinks getting warm.

★ Optimizing Performance:

- Make sure your car is on before plugging in the device. Turning on your car with the Cooler and Warmer plugged in can result in a power surge that can damage the appliance.
- Turn on the engine when using the appliance as powering the appliance on electricity alone can drain a car's battery.
- It's suggested to put in pre-chilled food and drinks. If drinks are at room temperature it will take 2-3 hours to completely chill them.
- The Thermoelectric Cooler and Warmer is not designed to heat cold food, only to preserve hot foods at a warm temperature. However, it can heat cooler foods given at least 2 hours.
- With proper use the Thermoelectric Cooler and Warmer can preserve the temperature of food, hot or cold, for hours on end.



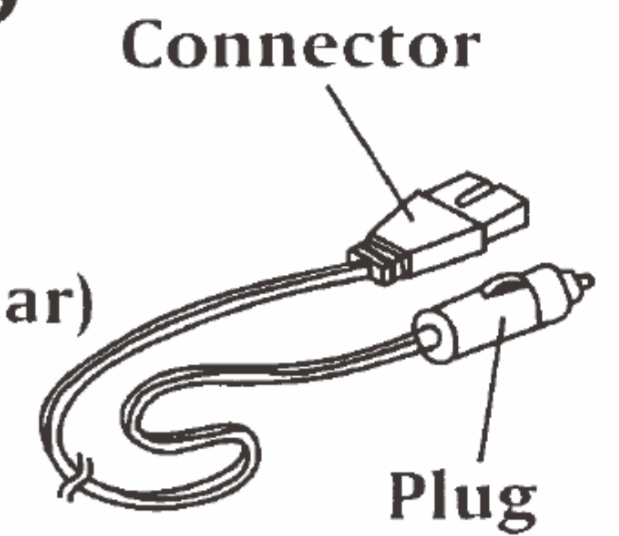
How to Use the Cooler and Warmer:

1. Before plugging in the cold /warm unit, make sure the switch at the side is set to the OFF setting.
2. Insert the suitable power cord into the unit. Insert the plug into a wall outlet or cigarette lighter in the car.
3. For Cooling: set the power switch at the position of COLD.
4. For Warming : set the switch at the position of WARM.
5. Set the switch at the OFF to turn off the device.

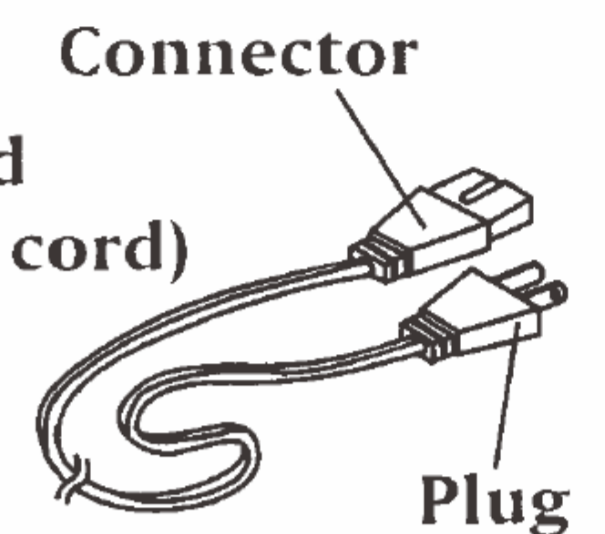
* NOTE: Please test both Cold and Warm functions of the unit prior to placing any products inside

Attachments

DC Power Cord
(Power cord for car)



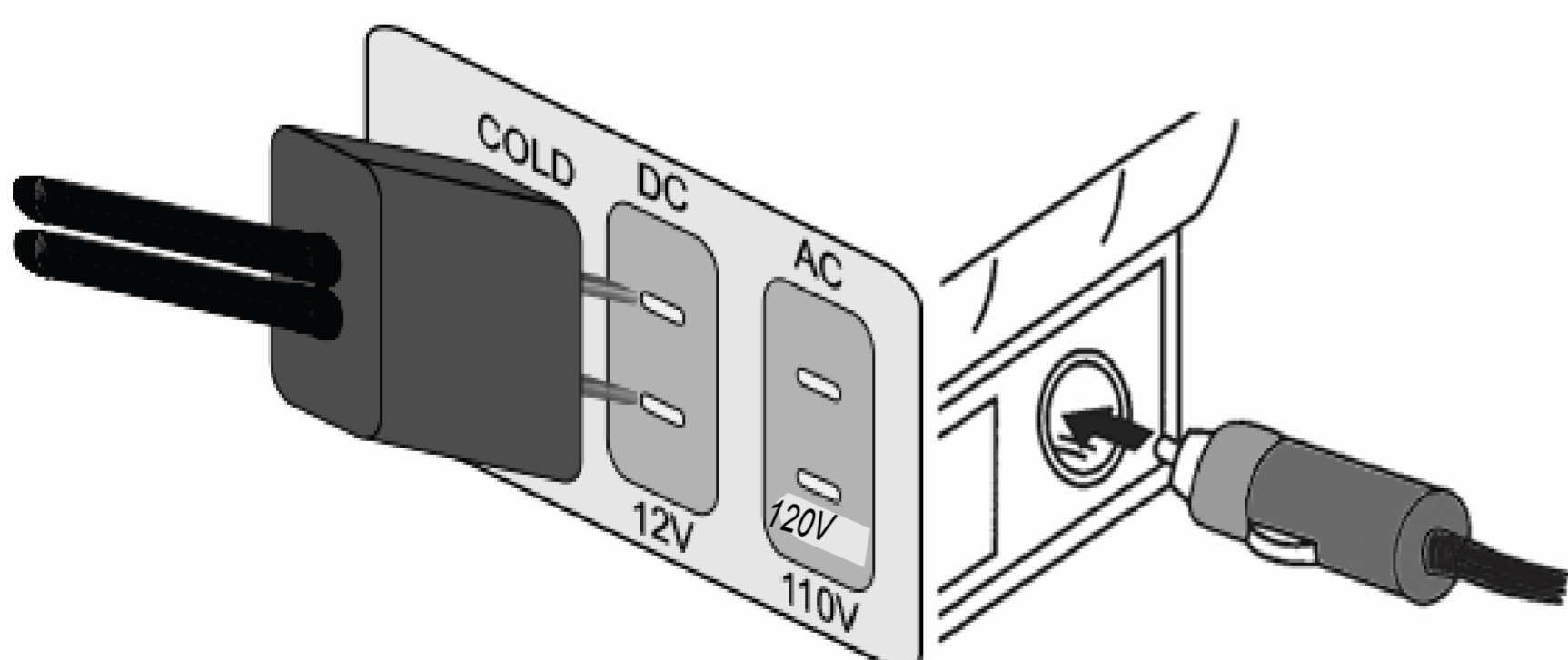
AC Power Cord
(Household power cord)



While using car power:

1. Make sure to turn on the car engine before plugging in the Cooler and Warmer to avoid a power surge that could result in overheating and a potential fire risk.
2. Turn on the car engine.
3. Plug the other end of the 12V DC power cord into the car cigarette lighter.
4. Set the Cooler and Warmer to the desired setting and enjoy your cold drinks or heated foods on the go!

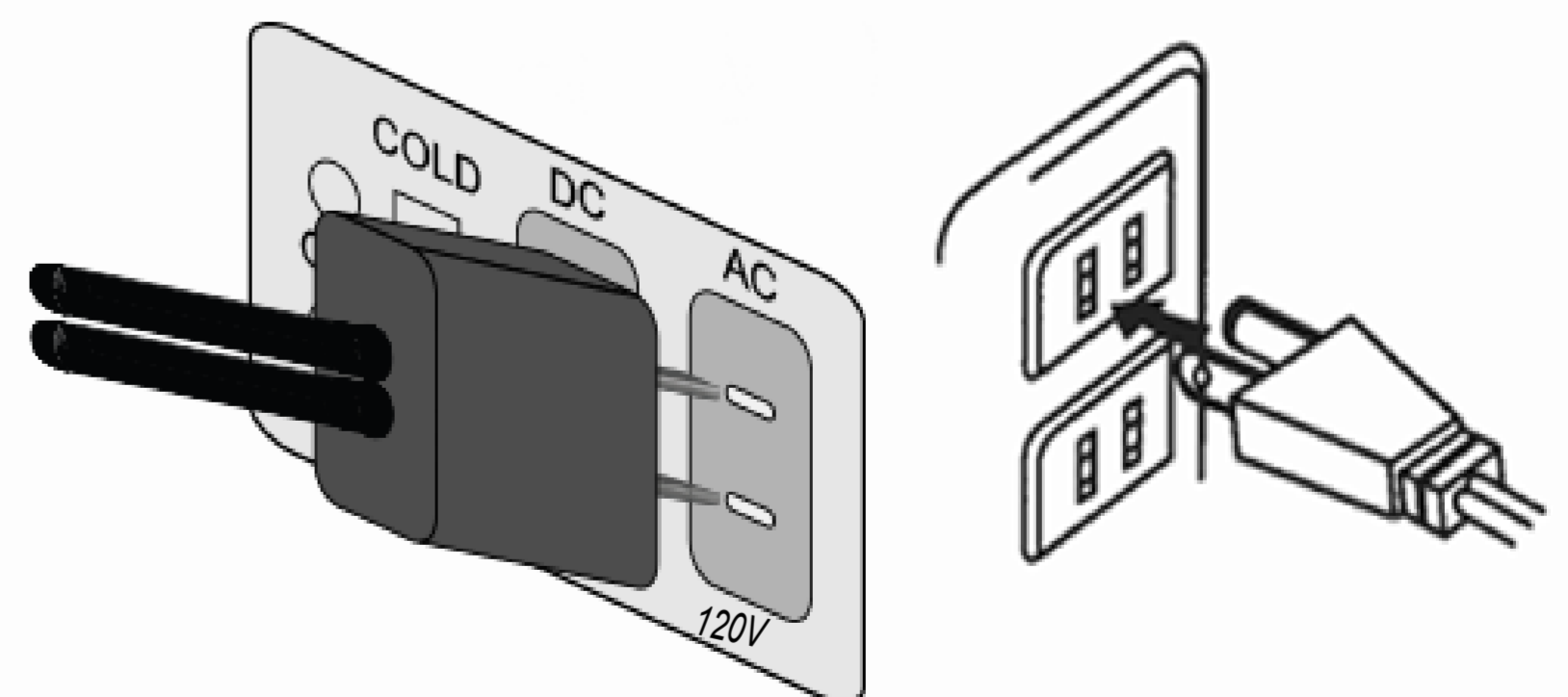
When car power is used(DC 12V)



While using household power:

1. Plug the 120V AC power cord into the Cooler and Warmer.
2. Insert the other end of the 120V AC power cord into a standard wall outlet.
3. Set the Cooler and Warmer to the desired setting and enjoy your cold drinks or heated foods on the go!

When the household power is used (AC 120V)



WARNING!

PLEASE READ THESE DIRECTIONS CAREFULLY BEFORE USING THIS APPLIANCE TO ENSURE PROPER OPERATION. MISUSE OF THE COOLER AND WARMER COULD RESULT IN A BROKEN APPLIANCE AND EVEN THE INJURY OR DEATH OF THE USER.

1. Prevent the fans from becoming stuck by keeping them clear of dirt and debris. Stuck fans will overheat the engine and could cause fire. For this reason, do not place cloth or paper products on the appliance.
2. Confirm when plugging and unplugging the power cords are tight in the sockets. A loose socket could result in cords and sockets not only breaking but causing a fire risk.
3. When using the appliance in a car with the DC power cord make sure the car engine is already on as the power surge from starting the car with the appliance plugged in can result in overheating and pose a fire risk.
4. Keep the Cooler and Warmer away from flammable items and running water to prevent breakage as well as fire.
5. DO NOT attempt to open, break, or refit the appliance.
6. Allow 30 minutes on the OFF setting between switching the product from COLD/**WARM**.
7. DO NOT submerge or rinse under running water.
8. When packing the appliance, avoid keeping it upside down.
9. Avoid dropping or banging the appliance.
10. DO NOT leave the appliance in the rain.
11. Always supervise children as they should not play with this Cooler and Warmer. It is not a toy!
12. For people with reduced physical, sensory, or mental capabilities use supervision and follow all instructions when operating this appliance for everyone's safety.
13. Always keep the ventilation openings clear of obstruction.
14. DO NOT use other electrical appliances inside the food storage compartments of the appliance.
15. If the power cord that is supplied with the Cooler and Warmer is damaged in any way DO NOT attempt to repair it, as it must be replaced by the manufacturer.