

# **VEVOR<sup>®</sup>**

**TOUGH TOOLS, HALF PRICE**

Support and E-Warranty Certificate <https://www.vevor.com/support>

## **INSTRUCTIONS FOR TOOL CABINET ASSEMBLY**

We continue to be committed to provide you tools with competitive price.

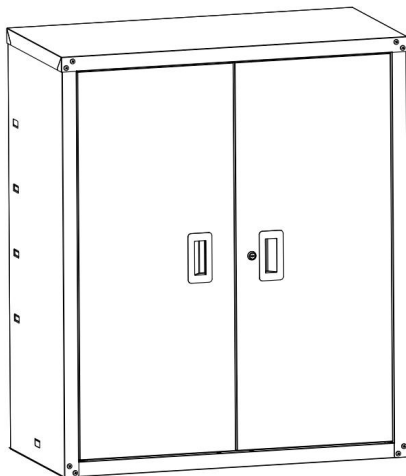
"Save Half", "Half Price" or any other similar expressions used by us only represents an estimate of savings you might benefit from buying certain tools with us compared to the major top brands and does not necessarily mean to cover all categories of tools offered by us. You are kindly reminded to verify carefully when you are placing an order with us if you are actually saving half in comparison with the top major brands.

# VEVOR®

TOUGH TOOLS, HALF PRICE

## Tool Cabinet Assembly

MODEL:GSC4200




### NEED HELP? CONTACT US!

Have product questions? Need technical support? Please feel free to contact us:








 [CustomerService@vevor.com](mailto:CustomerService@vevor.com)





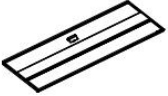

This is the original instruction, please read all manual instructions carefully before operating. VEVOR reserves a clear interpretation of our user manual. The appearance of the product shall be subject to the product you received. Please forgive us that we won't inform you again if there are any technology or software updates on our product.

Please read instructions carefully before assembly.

	<p>Warning-To reduce the risk of injury, user must read instructions manual carefully.</p>
---	--

**Assembly Parts List**

Part	Description	Qty
1	Screw-ST4.2*10 	12
2	Bolt-M6*16 	12
3	Shelf clip 	4
4	Door stop 	4
5	Left back 	1
6	Right back 	2
7	Left side panel 	2

Part	Description	Qty
8	Right side panel 	1
9	Top cover 	1
10	Bottom 	1
11	Shelf 	2
12	Left door 	1
13	Right door 	1

**ADDITIONAL TOOLS REQUIRED:**

1. Phillips Head Screwdriver.
2. Rubber Mallet (or hammer with soft covering).

**SAFETY TIPS:**

1. Please handle metal edges carefully.
2. Prepare a soft, level surface on ground level before commencing assembly.
3. Once assembled, maximum safe load limit per shelf is 200 lb, evenly distributed.
4. Always fill shelves from the bottom up, to help prevent any toppling issues.

## MAINTENANCE:

To clean and maintain your unit we recommend periodic cleaning using a soft cloth and gentle natural cleaner.

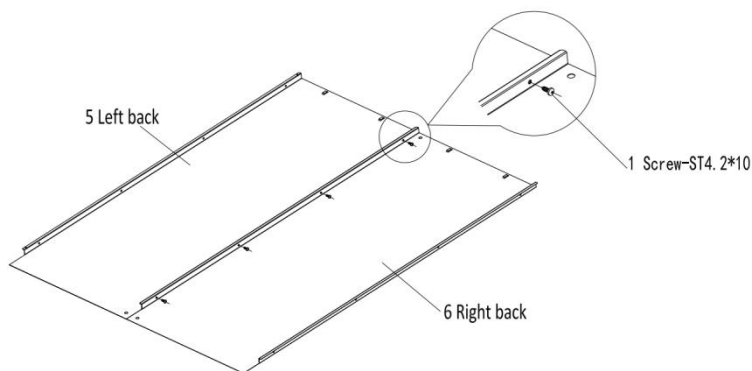
## Table of Parameters

Items	Description
Name	Tool Cabinet
Model	GSC4200
External Dimensions	910×456×1067 mm
	36×18×42 inch
Package Size	1160×545×235 mm
G.W.	33 kg

## Instructions For Installation

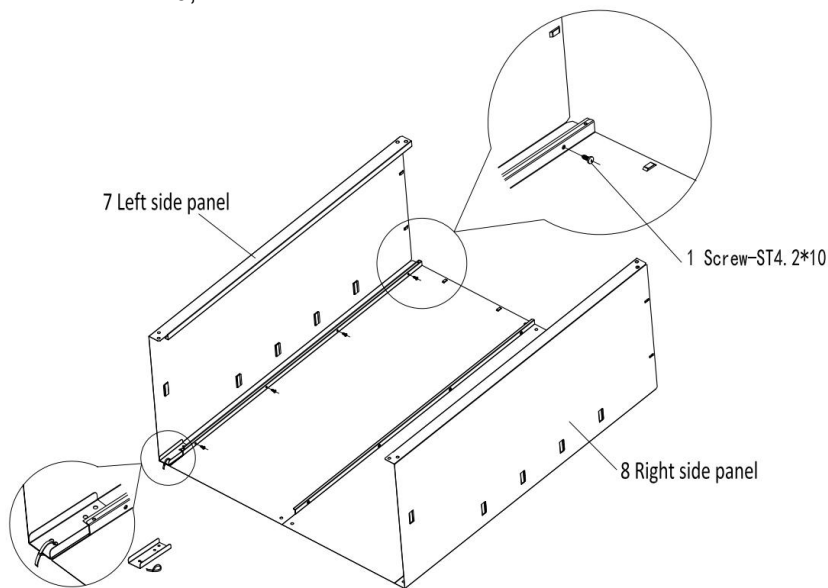
### Body Assembly

**STEP 1** Join left back(5) and right back(6) together with screw-ST4.2\*10, As shown.



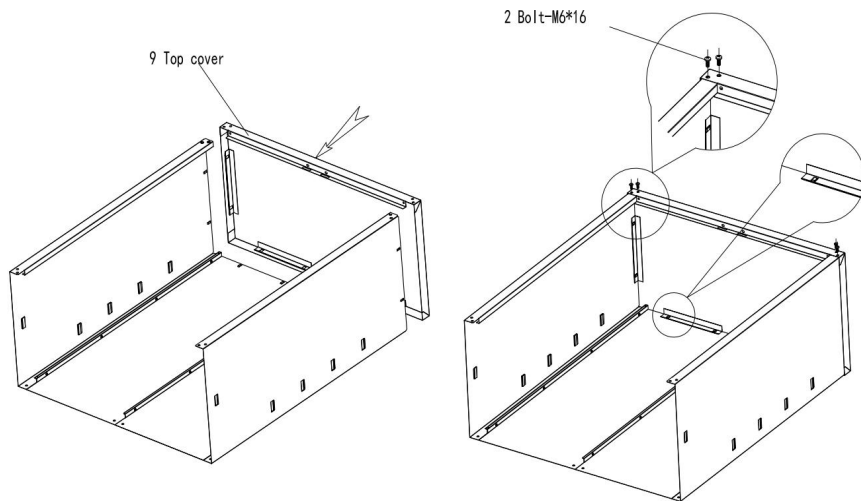
**STEP 2** Join left side panel(7) and right side panel(8) together with

screw-ST4.2\*10, as shown.

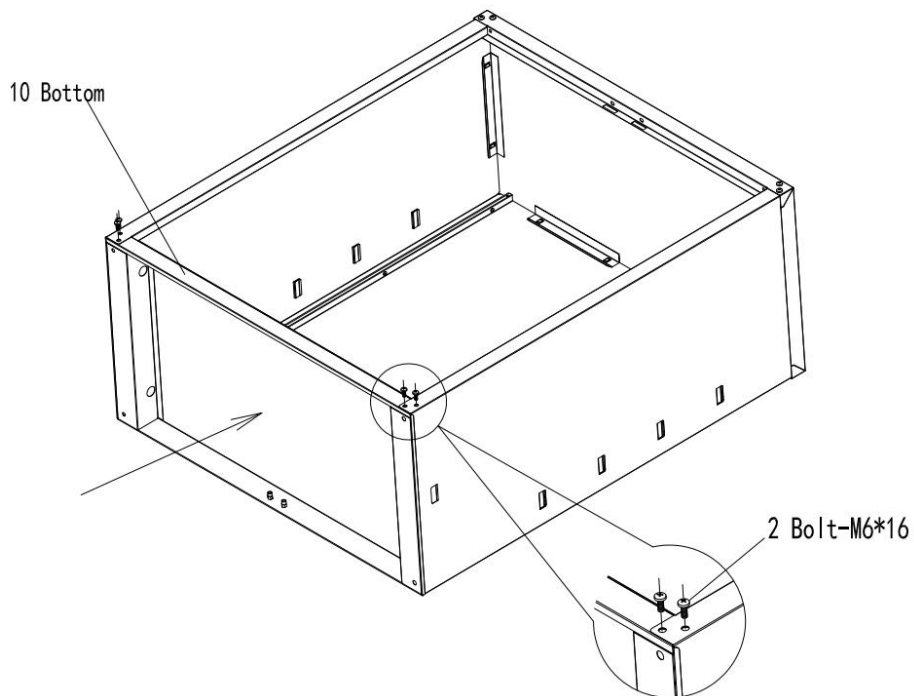


Before assembling the side panels, remove the two U-shaped protection slots at the bottom of the side panels!

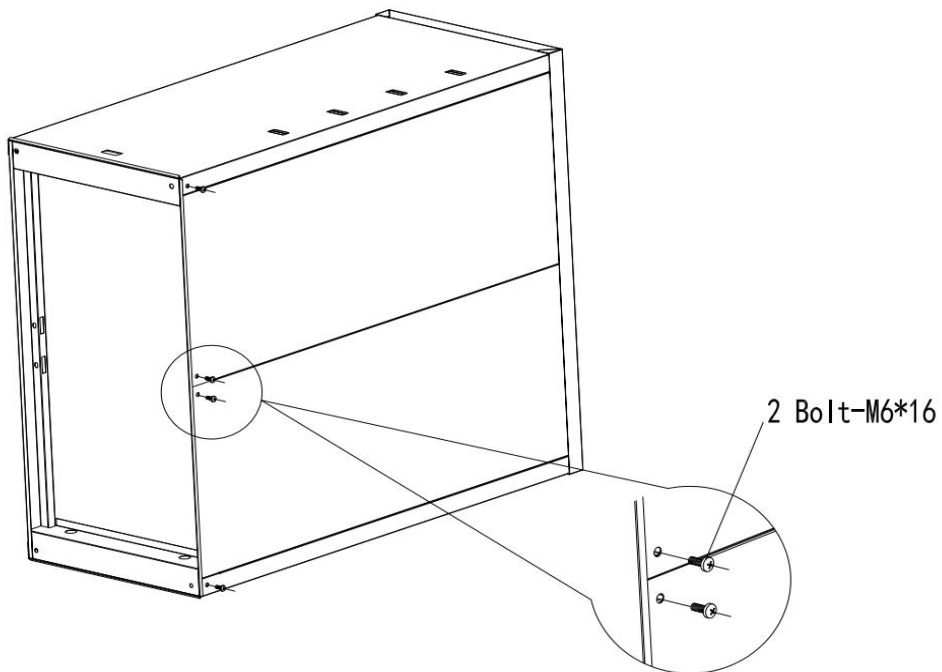
**STEP 3** Insert the back and side panels into the limit slots on the top cover, then use bolt-M6\*16(2) to fix the top cover and side panels together.



**STEP 4** Insert the bottom into the side panel and back, Join bottom(10) front and side panel together with four bolts-M6\*16 (2).



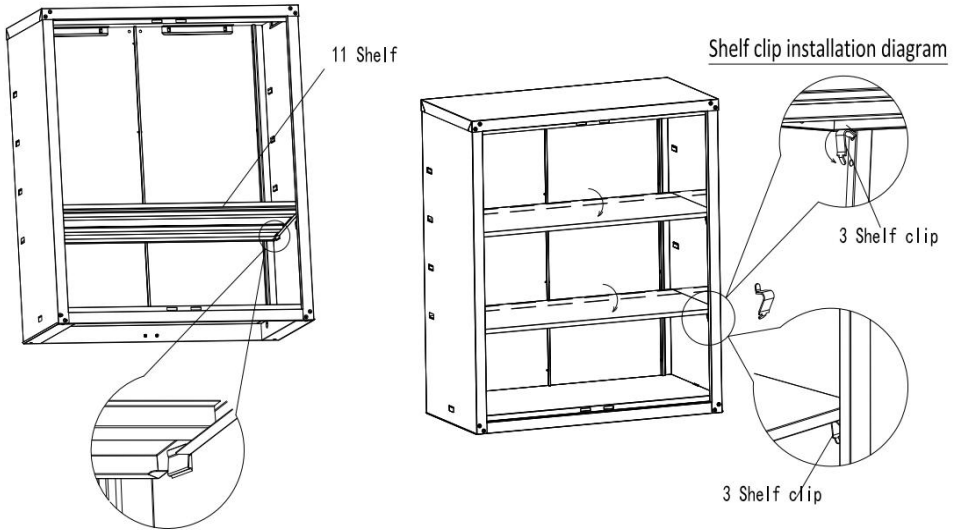
**STEP 5** Flip the body over 90°, Install the four bolts-M6\*16(2) on the back ,as shown.





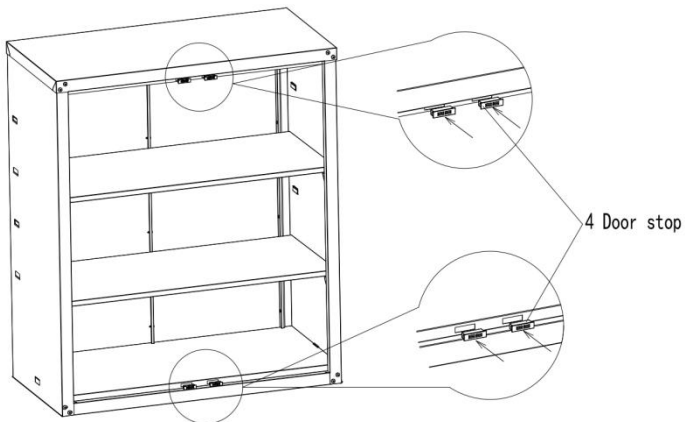
## Shelf Assembly

Stand the body upright with the bottom on the ground, As shown in the figure, first insert the rear ends of the shelf (11) into the side panel hanging buckle at the appropriate height, and then install the shelf clip (3) at the corresponding position.



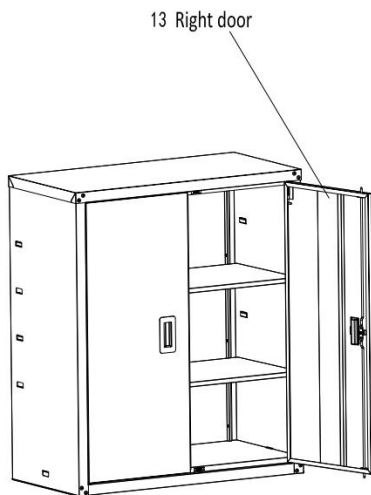
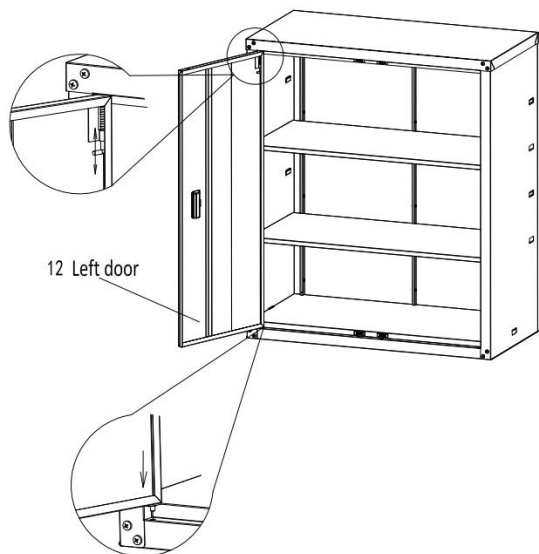
## Door Stop Assembly

As shown, press door stop(5) into the holes of the top cover and the bottom .

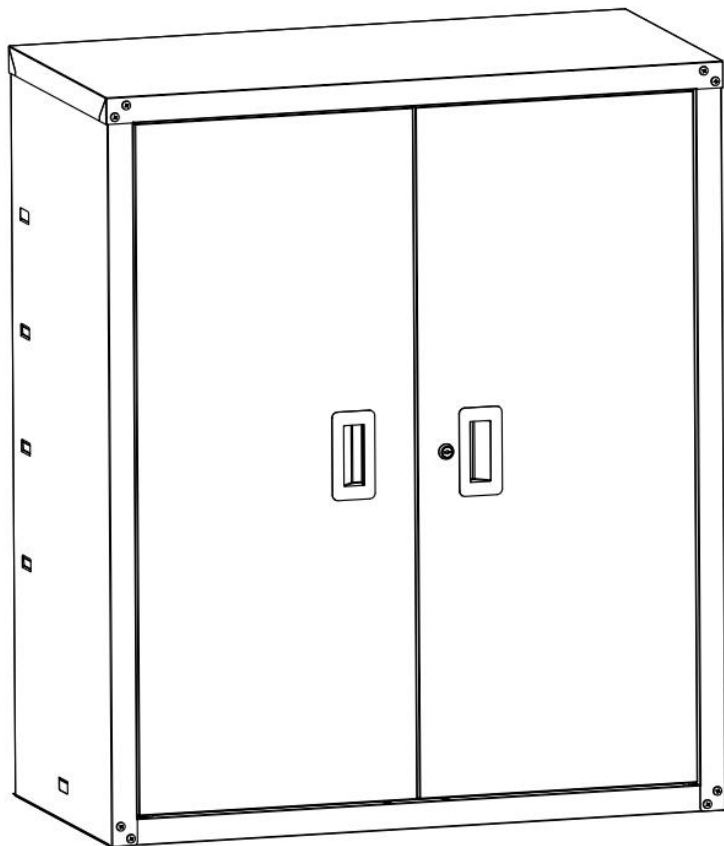


## Door Assembly

Insert the pin at the bottom of the left door (12) into the bottom hole first, Then insert the spring latch at the top of the left door into the top cover hole, Install the right door (13) on the body in the same way.



Congratulations, your cabinet assembly is now complete!  
Remember maximum safe load limit per shelf is 200 lb evenly distributed.  
Always load bottom shelf before top shelf to help prevent any toppling issue.



Manufacturer: Zhongshan City CYZ Coating Tech.Co.,Ltd.

Address: Plant1,No.78,Zhongheng Avenue,Baoyu Village, Henglan Town,  
Zhongshan City,Guangdong Province,China

MADE IN CHINA

**VEVOR<sup>®</sup>**

**TOUGH TOOLS, HALF PRICE**

**Support and E-Warranty Certificate <https://www.vevor.com/support>**