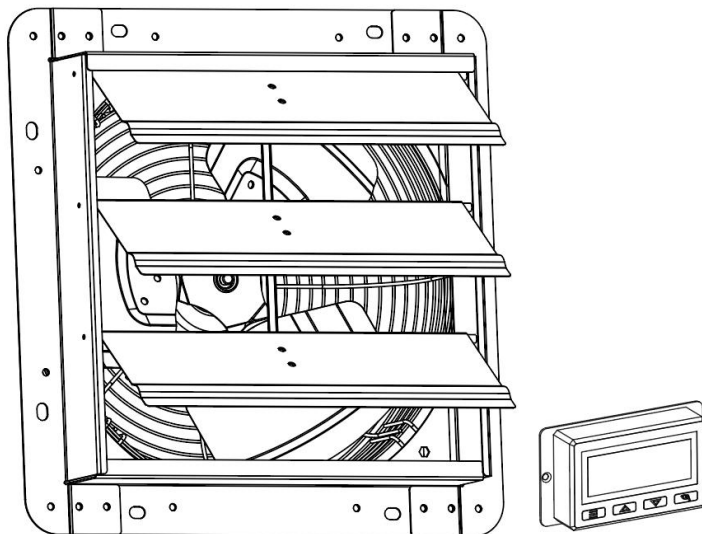


VEVOR[®]

TOUGH TOOLS, HALF PRICE

SHUTTER EXHAUST FAN USER MANUAL

We continue to be committed to provide you tools with competitive price. "Save Half", "Half Price" or any other similar expressions used by us only represents an estimate of savings you might benefit from buying certain tools with us compared to the major top brands and does not necessarily mean to cover all categories of tools offered by us. You are kindly reminded to verify carefully when you are placing an order with us if you are actually saving half in comparison with the top major brands.



<Picture Only For Reference>

NEED HELP? CONTACT US!

Have product questions? Need technical support? Please feel free to contact us:

✉ CustomerService@vevor.com

This is the original instruction, please read all manual instructions carefully before operating. VEVOR reserves a clear interpretation of our user manual. The appearance of the product shall be subject to the product you received. Please forgive us that we won't inform you again if there are any technology or software updates on our product.





PLEASE READ THE INSTRUCTIONS CAREFULLY BEFORE USING THE EQUIPMENT










Contents

- I .SAFETY PRECAUTIONS**
- II .PRODUCT DESCRIPTION**
- III.INSTALLATION**
- IV.POWERING AND SETUP**
- V .CLEANING**
- VI.PROGRAMMING**

SAFETY PRECAUTIONS

! **WARNING** Read all safety warnings, instructions, illustrations and specifications provided with this electrical appliances. Failure to follow all instructions listed below may result in electric shock, fire and/or serious injury.
Save all warnings and instructions for future reference.

 WARNING	Improper operation may cause personal injury. Improper operation may cause damage to the machine. Improper operation may cause others object damage.
	The symbol indicates that the user should pay high attention to and pay attention to the drawing shows the situation to be noted, and the left figure shows "Be careful of electric shock"
	Disconnect the fan when moving from one location to another.
	Do not use a power supply that does not meet the rated voltage The use of non compliant power supplies can cause fire or electric shock. If the supply cord is damaged, it must be replaced by the manufacturer, its service agent or similarly qualified persons in order to avoid a hazard.

	<p>If the machine emits smoke, odor, motor noise and other abnormal conditions, Please do not use it. It may cause fire or electric shock</p>
	<p>Do not disassemble, repair or rectify the machine during use. Doing so may result in fire or electric shock and personal injury</p>
	<p>BE CAREFUL</p>
	<p>DO NOT use fan in window. Rain may create electrical hazard.</p>
	<p>Do not damage or arbitrarily change the original power cord, and do not bend, forcibly pull, bind or press the power cord under heavy objects. This will damage the power cord, causing electric leakage fire or electric shock</p>
	<p>If the machine is not used for a long time, please unplug the power cord from the socket</p>
	<p>The connection socket must be installed with leakage protection switch device</p>
	<p>Never insert fingers, pencils, or any other object through the guard when fan is running.</p>
	<p>When the power cord is unplugged from the socket, the plug should be unplugged. Do not pull the power cord to forcibly pull the wire, which may cause damage to the wire and lead to leakage or electric shock</p>



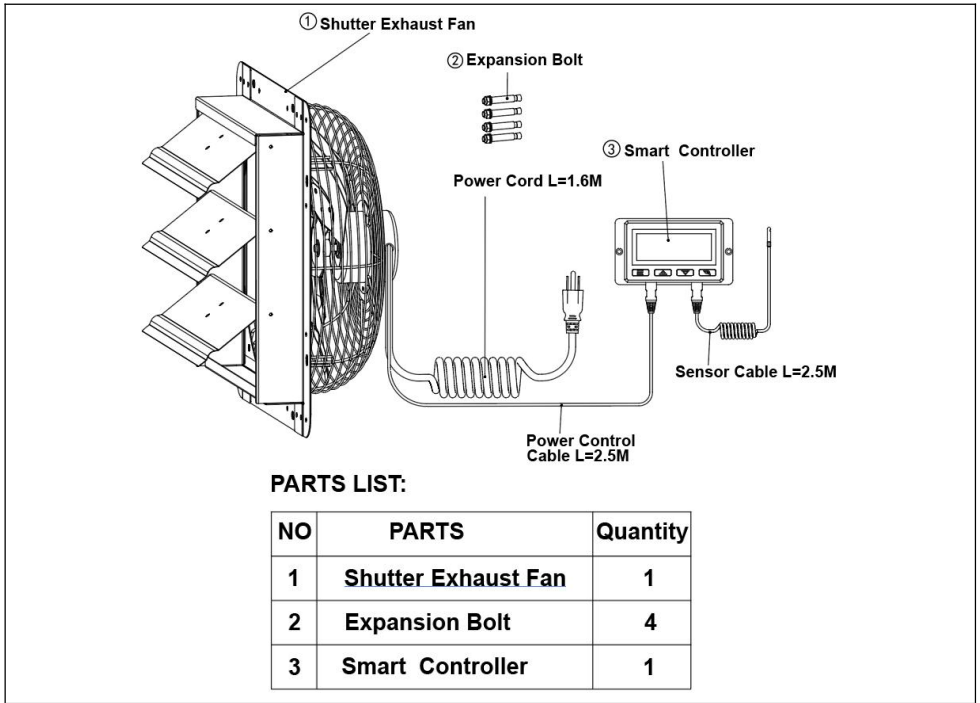
Disconnect the fan when removing grills for cleaning. Do not leave the fan running unattended. This appliance can be used by children aged from 8 years and above and persons with reduced physical, sensory or mental capabilities or lack of experience and knowledge if they have been given supervision or instruction concerning use of the appliance in a safe way and understand the hazards involved. Children shall not play with the appliance. Cleaning and user maintenance shall not be made by children without

PRODUCT DESCRIPTION

TECHNICAL PARAMETER

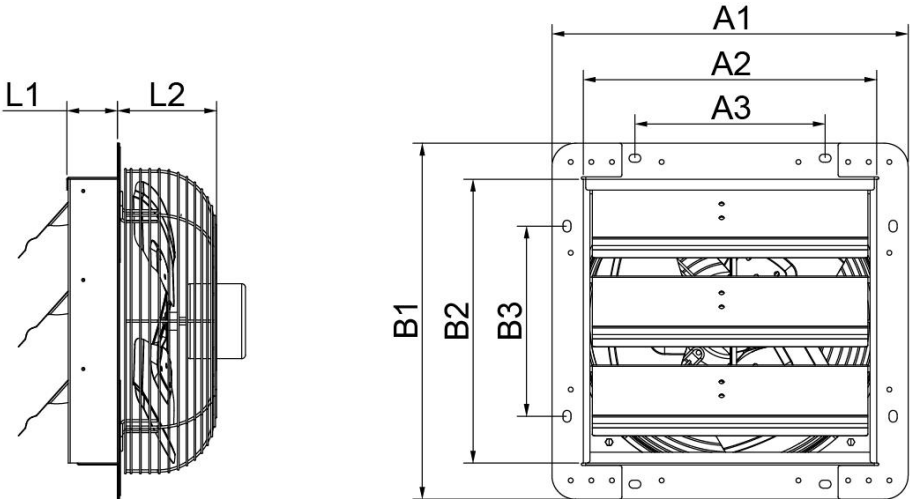
Brand	VEVOR			
Model	BT-WL10A	BT-WL12A	BT-WL14A	BT-WL16A
Voltage	120 V	120 V	120 V	120 V
Frequency	60 Hz	60 Hz	60 Hz	60 Hz
Power	25 W	40 W	45 W	55 W
Pack Size(CM)	34.5*34.5*22	40.5*40.5*23.5	45.5*23.3*45.5	50.5*23.8*50.5
N. W	2.7 KG	4.1 KG	4.6 KG	6.0 KG
G. W	3.45 KG	4.5 KG	5.5KG	6.7 KG

PRODUCT STRUCTURE DIAGRAM



INSTALLATION

★ **TIPS!** Prepare tools in advance:
Small wrench, Hammer



Unit:inch, Tolerance:±0.5inch

NO	Model	A1	A2	A3	B1	B2	B3	L1	L2
1	BT-WL10A	12.79	10.31	6.89	12.79	10.31	6.89	1.89	
2	BT-WL12A	15	12	7.9	15	12.1	7.9	2.0	4.1
3	BT-WL14A	17.13	14.13	9.13	17.13	14.13	9.13	2.25	3.85
4	BT-WL16A	18.88	16.13	11.875	18.88	16.13	11.88	2.375	4.13

Fig.1.

Before commencing assembly familiarize your self with all the assembly components and dimensions (See chart and diagram in Fig.1.)

Installation method

1. The product shall be installed at least 3-5 meters above the ground for ventilation
2. Make a hole on the wall with the size of A2xB2. (Refer to Fig.1.)
3. Punch four holes in the wall, You can choose four holes with the size of Chart A3 or four holes with the size of B3; (Refer to Fig.1.)
4. Then install the four expansion bolt, You can choose to install indoors or outdoors (Refer to Fig.2.)
5. Put the product on and lock it with nuts.

Note : When the motor faces indoor,
It will exhaust air to the outdoor!

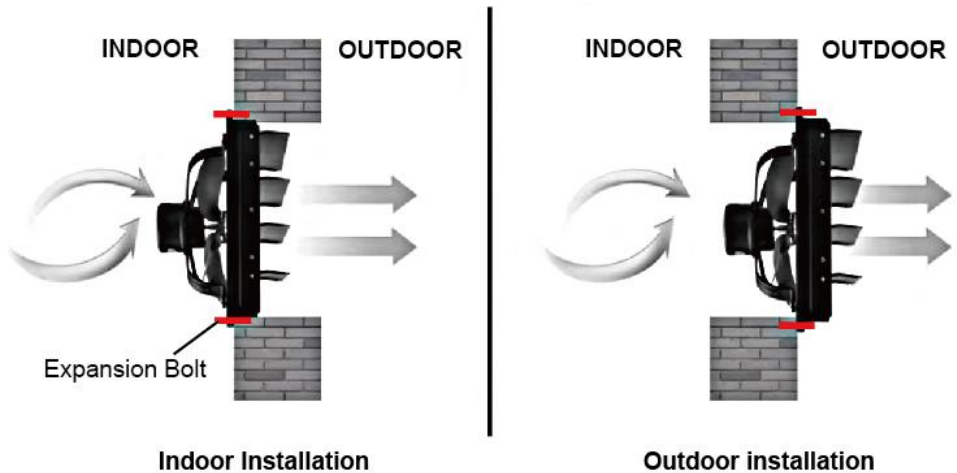
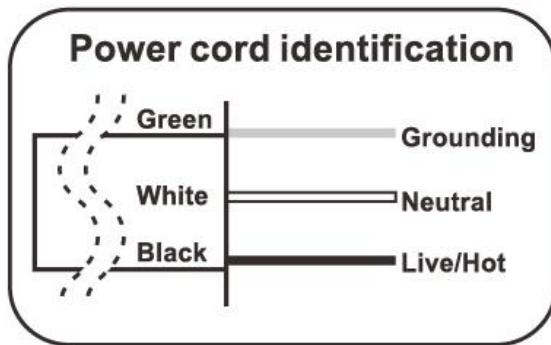


Fig.2.

6. Finally connect the lines correctly, (Refer to WIRING DIAGRAM)

Note: Make sure the product is firm and the wiring is right before power on



WIRING DIAGRAM

POWERING AND SETUP

Step 1:

Plug the fan's 3-pin connector into the universal controller's out 1 or out 2 port signified by the fan/power symbol. Plug the sensor's 4-pin connector into the controller's sensor signified by the controller symbol. See the (Fig.3.)

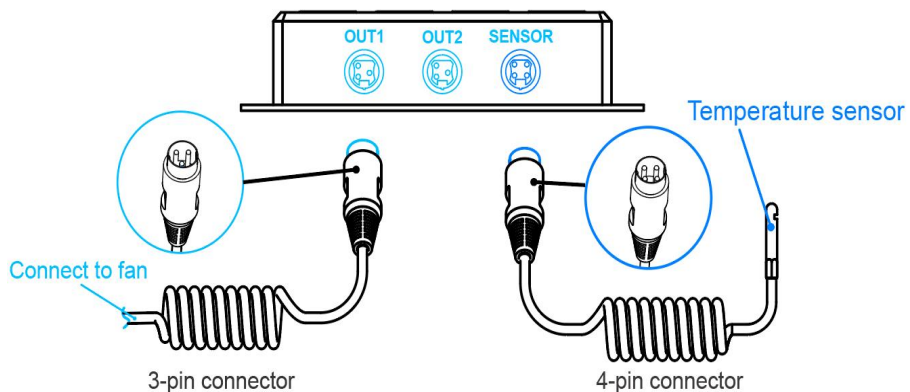


Fig.3.

Step 2:

Lastly, to power both the fan and controller, plug the fans power cord into

an AC power outlet. See the (Fig.4.)

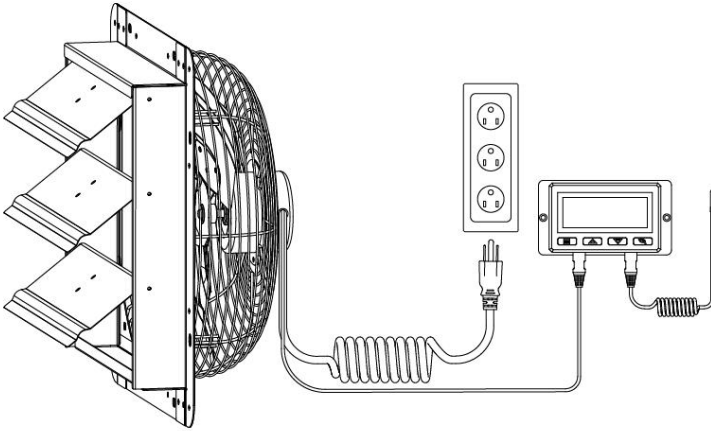
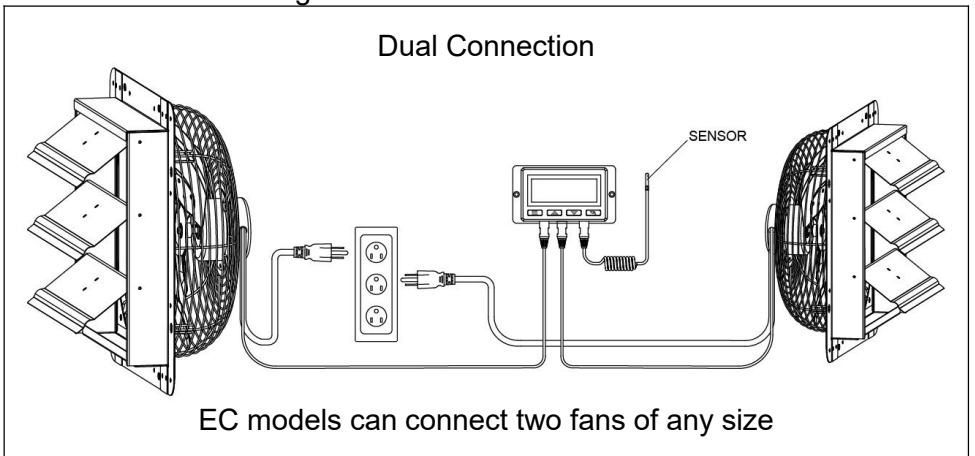


Fig.4.

Tips:

Smart controllers with EC motors can support two fans of any size. The two EC-motor fans must be plugged in to an outlet to power the fans and the controller. See images below.



CLEANING:

1. Be sure to unplug from the electrical supply source before cleaning.
2. Plastic parts should be cleaned with mild soap and damp cloth or sponge. Thoroughly remove soap film with clean water.
3. Be sure not to get water or other liquid into the motor.

PROGRAMMING

BUTTON DESCRIPTION



1.MODE BUTTON

Cycles through the controller's temperature/humidity programming: ON, OFF,TIMER, AUTO (4 triggers),and ALARM (4 settings).

2.UP / DOWN BUTTON

Adjusts the settings of the mode that you are in. Up button raises and down button lowers. Hold both to turn off triggers.

3. LEAF BUTTON

Turns the screen off while programs run in the background. Hold for two seconds to lock or unlock the LCD display.

4.PROBE TEMP

Displays the current temperature that the corded sensor probe is measuring. Shows “- -” if no probe is plugged in.

5.CONTROLLER MODE

Displays the mode that the controller is currently in.Pressing the mode button cycles through the modes.

6.ALERT ICONS

Displays the alerts and statuses from the controller, including the alarm and the screen lock.

7.PROBE HUMIDITY

Displays the current humidity that the corded sensor probe is measuring. Shows “- -” if no probe is plugged in.

8.FAN SPEED

Displays the current speed the fan is running at, or what speed it should be running at if no fans are plugged in.

9.SETTING

Displays the value you set for the current mode. Pressing the up or down button changes the value.

OPERATION DESCRIPTION

MODE SETTING

Pressing the Mode button will cycle through the controller’s available programming modes and settings: ON Mode, OFF Mode, TIMER Mode, AUTO Mode (4 triggers), ALARM Settings (4 settings).

ON MODE

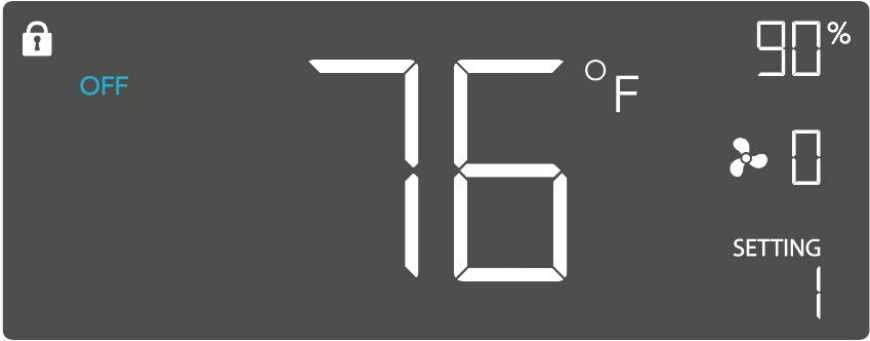
In this mode, the fan will heat continuously regardless of temperature or humidity. Use this mode to set the fan's maximum blowing strength, ranging from 0-10, when triggers are activated.



OFF MODE

In this mode, the fan will not run regardless of temperature or humidity. Pushing the up or down button will change the display’s brightness, ranging in 1/2/3/A3. On setting A3, the display will dim its brightness down

to 1 if the device is left unattended for 30 seconds. Holding the up or down button will change the display's units to F or C, respectively.



TIMER MODE

In this mode, pressing the up or down button will set the timer. The fan will ramp up to ON Mode's setting until the timer's clock runs out. It will begin spinning 5 seconds after the timer is set.

Leaving the timer mode while it's running will pause it until you return to this mode.



TRIGGER MODE: HIGH TEMPERATURE

In this mode, pressing the up or down button sets the high temperature trigger. The fan will activate if the probe's reading meets or exceeds this trigger.

It will gradually ramp up until it reaches the ON Mode's setting. If the probe's reading falls below your trigger, the fan will turn off. We recommend turning this trigger OFF when not in use during set up by holding the up and down buttons together.

You may set this trigger below the low temperature trigger to create a range where the fan is active.



Note that this trigger can activate as long as you are in AUTO Mode, even if you are viewing a different trigger within AUTO Mode.

TRIGGER MODE: LOW TEMPERATURE

In this mode, pressing the up or down button sets the low temperature trigger. The fan will activate if the probe's reading meets or falls below this trigger.

It will gradually ramp up until it reaches the ON Mode's setting. If the probe's reading rises above your trigger, the fan will turn off. We recommend turning this trigger OFF when not in use during set up by holding the up and down buttons together.

You may set this trigger above the high temperature trigger to create a range where the fan is active.



Note that this trigger can activate as long as you are in AUTO Mode, even if you are viewing a different trigger within AUTO Mode.

TRIGGER MODE: HIGH HUMIDITY

In this mode, pressing the up or down button sets a high humidity trigger. The fan will activate if the probe's reading meets or exceeds this trigger.

It will gradually ramp up until it reaches the ON Mode's setting. If the probe's reading falls below your trigger, the fan will turn off. We recommend turning this trigger OFF when not in use during set up by holding the up and down buttons together.

You may set this trigger below the low humidity trigger to create a range where the fan is active.



Note that this trigger can activate as long as you are in AUTO Mode, even if you are viewing a different trigger within AUTO Mode.

TRIGGER MODE: LOW HUMIDITY

In this mode, pressing the up or down button sets the low humidity trigger. The fan will activate if the probe's reading meets or falls below the trigger.

It will gradually ramp up until it reaches the ON Mode's setting. If the probe's reading rises above your trigger, the fan will turn off. We recommend turning this trigger OFF when not in use during set up by holding the up and down buttons together.

You may set this trigger above the high humidity trigger to create a range where the fan is active.



Note that this trigger can activate as long as you are in AUTO Mode, even if you are viewing a different trigger within AUTO Mode.

ALARM SETTING: HIGH TEMPERATURE

In this mode, pressing the up and down button sets a high temperature alarm. The alarm will sound and its icon will flash if the probe's reading exceeds the set temperature.

To activate the alarm, leave the alarm mode. The alarm will turn OFF if the probe's reading falls below the trigger or if any button is pressed. You can also set the alarm OFF by holding the up and down buttons together.

You may set this alarm below the low temperature trigger to create an operating range.



Note that alarm triggers can only activate in AUTO, ON, or TIMER Mode. Please leave ALARM SETTING to arm the controller.

ALARM SETTING: LOW TEMPERATURE

In this mode, pressing the up and down button sets a low temperature alarm. The alarm will sound and its icon will flash if the probe's reading falls below the set temperature.

To activate the alarm, leave the alarm mode. The alarm will turn OFF if the probe's reading rises above the trigger or if any button is pressed. You can also set the alarm OFF by holding the up and down buttons together.

You may set this alarm above the high temperature trigger to create an operating range.



Note that alarm triggers can only activate in AUTO, ON, or TIMER Mode. Please leave ALARM SETTING to arm the controller.

ALARM SETTING: HIGH HUMIDITY

In this mode, pressing the up and down button sets a high humidity alarm. The alarm will sound and its icon will flash if the probe's reading exceeds the set humidity.

To activate the alarm, leave the alarm mode. The alarm will turn OFF if the probe's reading falls below the trigger or if any button is pressed. You can also set the alarm OFF by holding the up and down buttons together.

You may set this alarm below the low humidity trigger to create an operating range.



Note that alarm triggers can only activate in AUTO, ON, or TIMER Mode. Please leave ALARM SETTING to arm the controller.

ALARM SETTING: LOW HUMIDITY

In this mode, pressing the up and down button sets a low humidity alarm. The alarm will sound and its icon will flash if the probe's reading falls below the set humidity.

To activate the alarm, leave the alarm mode. The alarm will turn OFF if the probe's reading rises above the trigger or if any button is pressed. You can also set the alarm OFF by holding the up and down buttons together.

You may set this alarm above the high humidity trigger to create an operating range.



Note that alarm triggers can only activate in AUTO, ON, or TIMER Mode. Please leave ALARM SETTING to arm the controller.

FAHRENHEIT OR CELSIUS

To switch between Fahrenheit and Celsius readings, set the controller to OFF Mode. Hold the up button to switch to Fahrenheit (°F) and the down button to switch to Celsius (°C).

DISPLAY BRIGHTNESS

To adjust the brightness of the display, set the controller to OFF Mode, then press the up or down button to increase or decrease the brightness level. The brightness range is 1/2/3/A3.

TEMPERATURE CALIBRATION

To adjust the temperature that the probe sensor is measuring, press the MODE and UP button simultaneously. This can be done while the controller is any mode. The calibration cycle ranges from -8°F to 8°F (or -4°C to 4°C). You may use this setting to match the controller's temperature reading with your thermostat's reading.

HUMIDITY CALIBRATION

To adjust the probe sensor's humidity reading, press the MODE and DOWN button simultaneously. This can be done in any mode. The calibration cycle ranges from -8% to 8%.

CONTROLLER LOCK

To lock the controller and prevent accidental setting changes, hold the LEAF button for three or more seconds. While the display is locked, you

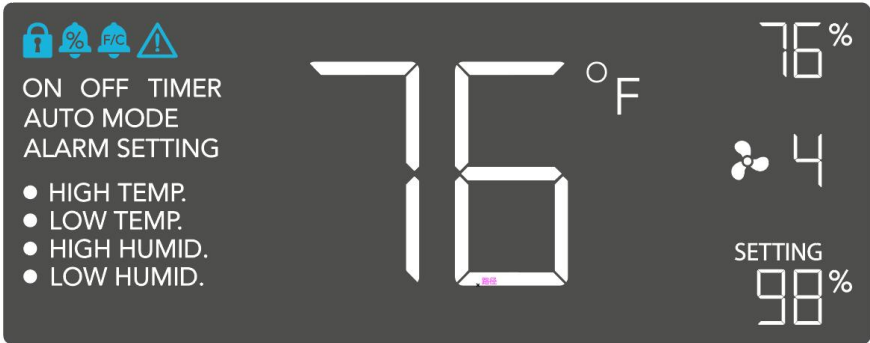
will not be able to switch modes or adjust settings. You will only be able to put the controller in ECO display. Holding the LEAF button for three or more seconds will unlock the controller.




ECO-MODE

To turn off the LCD display, press the LEAF button. While the screen is off, all programs, settings, and alarms will run in the background. You can activate ECO Mode while the controller is locked. To exit ECO mode, press any button.

ALERT ICONS

The top left of the display shows the alert icons. Icons may flash when the controller signals an alert to tell you a particular function or alarm is being triggered.



	<p style="text-align: center;">DISPLAY LOCK ALERT</p> <p>This icon is visible when the controller has been locked. The icon will flash to alert you that the controller is locked if you try to change the mode or settings.</p>
	<p style="text-align: center;">HUMIDITY ALARM ALERT</p> <p>This icon will flash when the high or low humidity alarm has been triggered.</p>
	<p style="text-align: center;">TEMPERATURE ALARM ALERT</p> <p>This icon will flash when the high or low temperature alarm has been triggered.</p>



CHECK FAN ALERT

This icon will flash when the fan's probe senses interference to its functioning. Check the fan for possible issues. If the fan is not heating up, please see the warranty page for replacement information.

Manufacturer: Bote electric appliance(Guangdong)Co.,Ltd

Address: 5TH floor,No.28,area 1,Sanlian Industrial Zone,Gulao Town,Heshan City,Jiangmen,Guangdong

Made In China

VEVOR[®]

E-mail: CustomerService@vevor.com