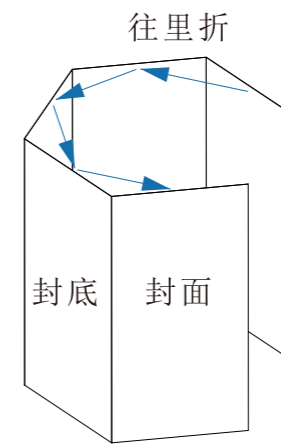


	1	2	3	4	5	6																		
A	<h1 style="font-size: 2em; margin: 0;">说明书</h1>					A																		
B						B																		
C	<p>技术要求</p> <ol style="list-style-type: none"> 1、此页不印刷； 2、材质：120g双铜纸； 3、尺寸：成品99*210mm，展开尺寸495*210mm，五折页； 4、彩色印刷，印刷内容、字体、字体颜色（和文档一致）符合要求； 5、线框为裁剪线，不印刷； 6、制件符合RoHS要求。 					C																		
D	<table border="1" style="width: 100%; border-collapse: collapse;"> <tr> <th colspan="6">未注公差尺寸的极限偏差值(m)</th> </tr> <tr> <th>尺寸</th> <th>0.5~3</th> <th>>3~6</th> <th>>6~30</th> <th>>30~120</th> <th>>120~400</th> </tr> <tr> <th>公差</th> <td>±0.1</td> <td>±0.1</td> <td>±0.2</td> <td>±0.3</td> <td>±0.5</td> </tr> </table>					未注公差尺寸的极限偏差值(m)						尺寸	0.5~3	>3~6	>6~30	>30~120	>120~400	公差	±0.1	±0.1	±0.2	±0.3	±0.5	D
未注公差尺寸的极限偏差值(m)																								
尺寸	0.5~3	>3~6	>6~30	>30~120	>120~400																			
公差	±0.1	±0.1	±0.2	±0.3	±0.5																			
	1	2	3	4	5	6																		



Troubleshooting

Issues	Cause/Suggestions
Refrigerator does not work	<ul style="list-style-type: none"> • Check if the switch is on. • Check if the plug and socket are connected well. • Check if the fuse has been burnt. • Check if the power supply is malfunctioned. • Switching on/off the fridge frequently may cause start. • delay of the compressor.
Refrigerator compartments are too warm	<ul style="list-style-type: none"> • The door is opened frequently. • A large amount of warm or hot food was stored recently. • The refrigerator has been disconnected for a long time.
Food is frozen	<ul style="list-style-type: none"> • The temperature was set too low.
There is "water flow" noise from inside the refrigerator	<ul style="list-style-type: none"> • It's a normal phenomenon, caused by the flow of refrigerant.
There are waterdrops around the refrigerator casing or door gap	<ul style="list-style-type: none"> • It's a normal phenomenon, the moisture will condense to water when it touches a cold surface of the refrigerator.
The compressor is slightly noisy when starting	<ul style="list-style-type: none"> • It's a normal phenomenon, the noise will be reduced after the compressor works stably.
Code F1 displayed	<ul style="list-style-type: none"> • Possible cause: low voltage to fridge. Adjust the battery protection from High to Medium or from Medium to Low.
Code F2 displayed	<ul style="list-style-type: none"> • Possible cause: condenser fan is overloaded. Disconnect power to fridge for 5 minutes & re-start. If the code shows again, contact manufacturer for service.
Code F3 displayed	<ul style="list-style-type: none"> • Possible cause: the compressor starts too frequently. Disconnect power to fridge for 5 minutes & re-start. If the code shows again, contact manufacturer for service.
Code F4 displayed	<ul style="list-style-type: none"> • Possible cause: compressor not kicking in. Disconnect power to fridge for 5 minutes & re-start. If the code shows again, contact manufacturer for service.

Code F5 displayed	<ul style="list-style-type: none"> • Possible cause: overheating of the compressor & electronics. Disconnect power to fridge for 5 minutes & re-start. If the code shows again, contact manufacturer for service.
Code F6 displayed	<ul style="list-style-type: none"> • Possible cause: no parameter can be detected by the controller. Disconnect power to fridge for 5 minutes & re-start. If the code shows again, contact manufacturer for service.
Code F7 or F8 displayed	<ul style="list-style-type: none"> • Possible cause: temperature sensor is faulty. Contact manufacturer for service.
<p>*For models with FSAK-002 detachable battery, if code F1 displayed, unplug or turn off the battery, or connect to DC12/24V/AC100-240V (using the adapter) power supply to power the compressor and battery in time to avoid long-term micro-current draining the battery.</p>	

Safety Instructions

⚠ WARNING!

- Do not operate the appliance if it is visibly damaged.
- Do not block the gaps of the fridge with things like pin, wire, etc.
- Do not expose the appliance to rain or soak it in water.
- Do not place the appliance near naked flames or other heat sources (heaters, direct sunlight, gas ovens etc.)
- Do not store any explosive substances like spray cans with a flammable propellant.
- Ensure the supply cord is dry and not trapped or damaged. Do not locate multiple portable socket-outlets or portable power supplies at the rear of the appliance.
- Check the voltage specification on the type plate corresponds to that of the energy supply. The appliance is only to be used with the power supply unit provided with the appliance.
- Do not use electrical appliances inside the food storage compartments of the appliance, unless they are of the type recommended by the manufacturer.
- Once unpacked and before turning on, the appliance must be placed on a level surface for more than 6 hours.
- Make sure that the appliance stays horizontally when it is running. The tilt angle must be less than 5° for long time running and be less than 45° for short time running.
- Keep the ventilation openings in the unit casing or in the built-in structure free of obstacles.
- Keep the appliance stable on the ground or in the car; Do not drain upside down.

⚠ CAUTION!

- Repairs may only be carried out by qualified personnel. Incorrect repair may cause danger. The lamp and supply cord must be replaced by the manufacturer or qualified persons.

07

- The installation of DC power in the boat must be handled by qualified electricians.
- The appliance can only use our dedicated rechargeable batteries, non-rechargeable batteries are prohibited, otherwise there may be a danger of fire and explosion. And the battery can only be charged with the charger provided by the manufacturer.
- In use or during storage, battery found there has been high fever, leakage, odor, distortion and other anomalies, please stop using it immediately and stay away from the battery.
- Battery end of life should be immediately removed from the equipment, please properly handle security of spent batteries, do not put into fire or water.
- Children shall not play with the appliance. Cleaning and user maintenance shall not be made by children without supervision.
- The appliance can be used by children aged from 8 years and above and persons with reduced physical, sensory or mental capabilities or lack of experience and knowledge if they've been given supervision or instruction concerning use of the device in a safe way and understand the hazards.

📌 NOTICE!

- Disconnect the power supply before each cleaning and maintenance and after every use.
- Do not use sharp tools to defrost; Do not damage the refrigerant circuit.
- Risk of child entrapment. Before you throw away your old refrigerator or freezer: take off the doors: leave the shelves in place so that children may not easily climb inside.
- Check if the cooling capacity of the appliance is suitable for storing the food or medicine.

Food may only be stored in its original packaging or in suitable containers.

- If the appliance is left empty for long periods, switch off, defrost, clean, dry, and leave the door open to prevent mould developing within the appliance.
- The appliance is intended to be used in household and similar applications such as:
 - Staff kitchen areas in shops, offices and other working environments;
 - Camping, Farm houses and by clients in hotels, motels and other residential environments;
 - Bed and breakfast type environments;
 - Catering and similar non-retail applications.



Please according to local regulations regarding disposal of the appliance for its flammable refrigerant and blowing gas.

Manufacturer: Foshan Alpicool Electric Appliance Co., LTD.
ADD: 13A, Xinlong Road, ShilongJiyue Industrial Zone, Xintang Village, Lunjiao Town, Foshan City, 528308 Guangdong P.R. China
UK Importer: FREE MOOD LTD
Address: 2 Holywell Lane, London, England, EC2A 3ET
EU Importer: WAITCHX
Address: 250 bis boulevard Saint-Germain 75007 Paris



Acumen IBC Ltd.
 Ground Floor, 94 Ock street,
 Abingdon, OX14 5DH



EUREP GmbH
 Unterlettenweg 1a, 85051 Ingolstadt,
 Germany

08

VEVOR®



Mobile APP Control by bluetooth
 — IOS & Android —

PORTABLE FRIDGE FREEZER MANUAL

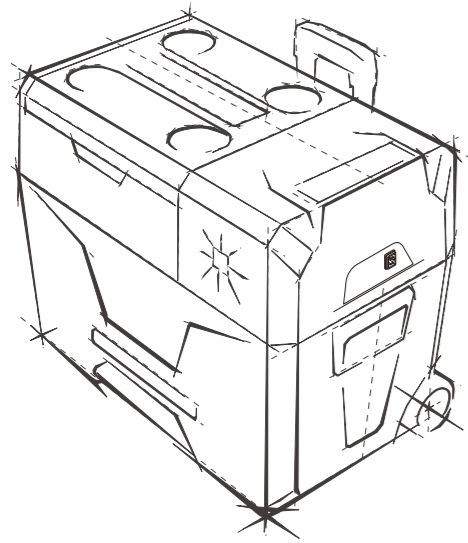
VEVOR®

E-mail: CustomerService@vevor.com

06

VEVOR®

PORTABLE FRIDGE FREEZER



NEED HELP? CONTACT US!

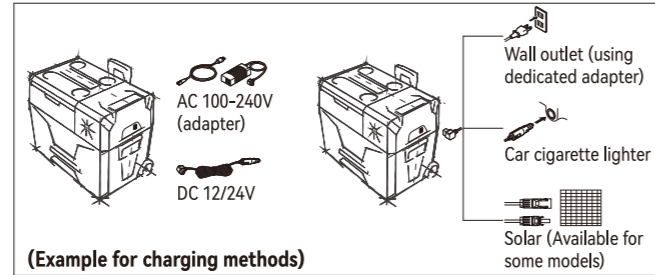
Have product questions? Need technical support?
Please feel free to contact us:

CustomerService@vevor.com

This is the original instruction, Please read all manual instructions carefully before operating. VEVOR reserves clear interpretation of our user manual. The appearance of the product shall be subject to the product you received. Please forgive us that we won't inform you again if there is any technology or software updates on our product.

General guidelines

- Power Supply: connect to DC 12V/24V or AC 100-240V power (using dedicated adapter) or solar(12-50V, available for some models).
- The adapter and power-supply cord are subject to particular models.
- Built-in battery type control button : "-" means ON, "o" means OFF.



(Example for charging methods)

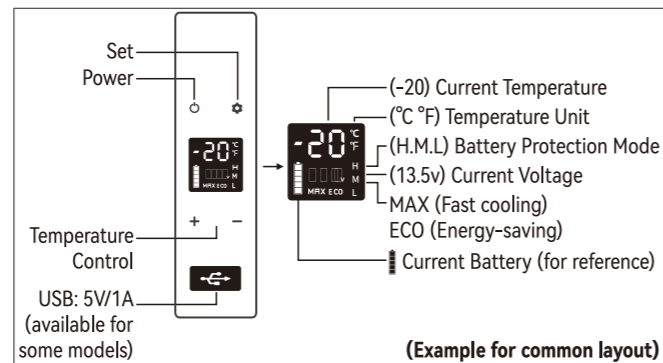
Notice: general operation applies to most models. For particular models, please refer to the corresponding instructions according to the type of panel.

• **Function Unlock:** for models with lock icon in **2**, long press for 3 seconds to unlock.

• **Power ON/OFF:** short press to switch ON/OFF. (For models with touch control panel, press to switch ON, LONG PRESS to switch OFF: B22/C22/G22/FC15/Mini9/K series/MK series/T series/TW/TWW/TA/TAW/TS/TSW/TD/TDW series.

• **Temperature Setting:** press + or - for temperature setting. (ARC series **3**, C10 **5**); for models with two compartments in **4** **9** **10**, the right compartment is on the side where the compressor is.)

• **Cooling Mode Setting:** under running state, press to switch MAX (Fast-cooling) or ECO (Energy-saving). For Mini **9**, the panel shows HH(Fast-cooling) or EE(Energy-saving) (*Factory setting is fast-cooling mode). BD/BCD **4**, C15T-C75T/CL series/X series **6**. ARC series and C10 do not have this setting.



(Example for common layout)

• **Battery Protection Mode:** under running state, long press until the screen flashes, then switch H(High), M(Medium) or L(Low) mode by pressing again. (*Factory setting is Medium). ARC series **3**, BD/BCD **4**, C10 **5**, C15T-C75T/CL series/X series **6**.

Voltage Reference:

MODE	DC 12V		DC 24V	
	CUT OUT	CUT IN	CUT OUT	CUT IN
Low	8.5V	10.9V	21.3V	22.7V
Medium	10.1V	11.4V	22.3V	23.7V
High	11.1V	12.4V	24.3V	25.7V

*The voltage is theoretical value, there may be a deviation in different sceneries.

• M or H should be set when the product is connected to car power, and L should be set when it is connected to a portable battery or other back-up battery.

• **Temperature Unit Setting:** switch off the fridge, long press until displays E1, and switch to E5 by pressing again, then press + or - to switch Celsius or Fahrenheit. B22/C22/G22/FC15/Mini9/K series/MK series **2**, ARC series **3**, BD/BCD **4**.

*Except E5 setting, other settings are only for factory maintenance.

Panel & specific operations of different models (Photos are for reference only)

1

A25/A30/A40/A50/A75
C9/C12
B15/C15/G15/Y16/Y16E/B20/C20/G20
C25/C30/C40/C50/C75
CX30/CX40/CX50/ECX30/ECX40/ECX50
*The panel of the models below is slightly different:
NX42/NX52/NX62/ENX42/ENX52/ENX62/NXA42
CF8/CF15/P8/P15/P18/EC15/EC20

2

B22/C22/G22/K18/K25/MK18/MK25/MK35/FC15
*FC15 without USB, the panel is slightly different.

3

ARC22/ARC35

• **Fridge/Freezer temperature setting:** under running state, press at the same time to switch fridge/freezer temperature setting. Fridge: 0~8°C(32~46°F), Freezer: -12~-20°C(10~-4°F).

• **Battery protection mode:** under running state, long press or at the same time for 3 seconds until the screen flashes, then press or to switch battery protection mode: from left to right: Low/Medium/High

• **Temperature unit setting:** switch off the fridge, long press at the same time for 3 seconds until displays E1, and switch to E5 by pressing at the same time again, then press or to switch Celsius or Fahrenheit.

4

BD45/BD60/BD65/BD75/BD85/BD110/BD135/BCD80/BCD100/BCD125

• Light icon Left: L-Box ;Right: R-Box .

• Press + or - of L-Box or R-Box to adjust the temperature.

• **Cooling mode setting:** press **Compressor Speed** button to switch MAX (fast-cooling)/ECO(energy-saving).

• Battery protection mode: press Battery Protection button to switch High/Medium/Low mode;

• **Temperature unit setting:** switch off the fridge, long press **Compressor Speed** button until displays E1, and switch to E5 by pressing again, then press + or - to switch Celsius or Fahrenheit.

*The panels shown on the left is LCD display of the BD/BCD series, LED display is slightly different.

4

5

C10

• **Cooling/Heating setting:** long press Cool/Stop button to switch on/off the cooling mode. In cooling mode, the hot/stop button is inoperable; Switch off the cooling mode, long press Hot/Stop button to switch on/off the heating mode; In heating mode, the cool/stop button and + - are inoperable. Cooling: -20°C~+20°C; Heating can only be set to: +50°C.

• **Battery protection mode:** in standby mode, long press + - at the same time for 5 seconds until the screen flashes, then press + or - to switch battery protection mode: from left to right: Low/Medium/High

5

6

C15T/C25T/C30T/C40T/C50T/C75T/CL30/CL40/CL50/X30/X40/X50

• **Cooling mode setting:** under running state, press to switch Eco(Energy-saving, Eco/Max light in green) or HH(Fast-cooling, Eco/Max light in red).

* Power light in red: compressor shutdown or delay start; Power light in green: compressor is working.

• Battery protection mode: under running state, long press until the screen flashes, then switch H3(High),H2(Medium), H1(Low) by pressing again.

6

7

CF35/CF45/CF55
NCF35/NCF45/NCF55

8

Mini9

9

E60

E75/E95/AL42(AL42 without USB)

TS40/TS50/TS60/TS80/TS100/TS120
/TSW40/TSW50/TSW60/TSW80/
TSW100/TSW120

TW35/TW45/TW55/TWW35/TWW45
/TWW55

TA35/TA45/TA55/TAW35/TAW45/
TAW55/TW75/TW95/TW115/TWW75/TWW95/TWW115/TD80/TD100/
TD120/TDW80/TDW100/TDW120

* E75/E95/AL42/TW series/TWW series with dual compartments:

• **Left/Right compartment ON/OFF:** under running state, long press + at

the same time for 3 seconds to switch on/off the left compartment, long press at the same time for 3 seconds to switch on/off the right compartment. Don't switch off both simultaneously.

• **Temperature setting:** when both left and right are switched on, press + or - to enter the left compartment setting, the screen will flash, then press to switch left/right temperature setting. When the screen flashes, press + or - to adjust the temperature.

* **TD series/TDW series with removable divider:** when put in the divider, under running state, long press + at the same time for 3 seconds to switch on/off the left compartment. When both left and right are switched on, press + or - to enter the left compartment setting, the screen will flash, then press to switch left/right temperature setting. When the screen flashes, press + or - to adjust the temperature. **When remove the divider,** the screen only shows one temperature, operate as the general operation.

Detachable Battery

• **FSAK-002:** CF15/EC15/EC20/P8/P15/ECX series/ENX series/NXA42/TW series/TWW series /TS series/TSW series/TD series/TDW series; **FSAK-003 /004:** E60/E75/E95;

• **Battery ON/OFF:** long press the power button on the battery to switch ON/OFF.

• **Battery Charging:** connect the refrigerator to DC/AC/Solar, and place the battery into the case, the battery will be charged automatically. But the power supply will mainly power the compressor when the refrigerator is running, which will cause the battery to charge slowly. If you want to charge the battery quickly, please turn off the refrigerator. (The refrigerator can only be charged via the detachable battery when using solar)

Notice: contact the manufacturer if you need to charge the battery separately. The battery should be disposed of safely.

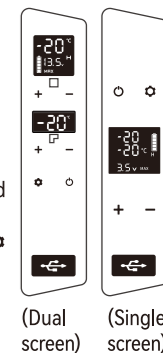
T36/T50/T60

Notice: The set temperature of the left compartment shall not be lower than that of the right compartment, and the right compartment cannot be switched off separately.

• **Dual screen:** when put in the divider, long press + - at the same time for 3 seconds to switch ON/OFF the left compartment. When remove the divider, the lower screen will be switched off, and the temperature can only be adjusted through the upper screen.

Left compartment; Right compartment

• **Single screen:** when put in the divider, under running state, long press + at the same time for 3 seconds to switch on/off the left compartment. When both left and right are switched on, press + or - to enter the left compartment setting, the screen will flash, then press to switch left/right temperature setting. When the screen flashes, press + or - to adjust the temperature. When remove the divider, the screen only shows one temperature, operate as the general operation.



(Dual screen) (Single screen)