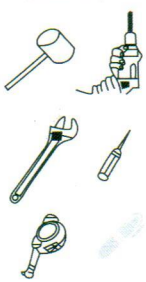
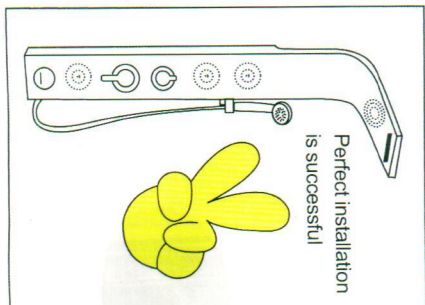
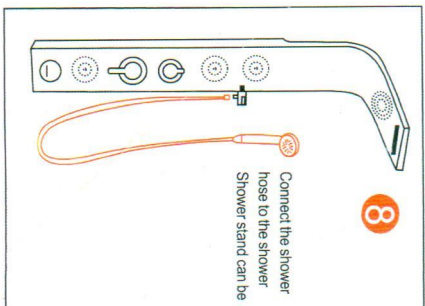
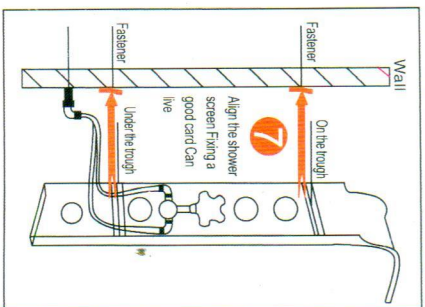
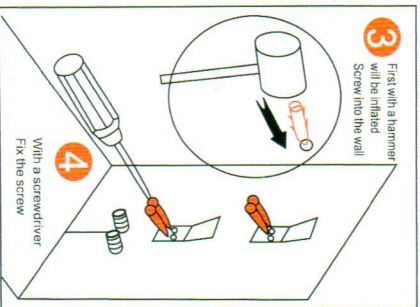
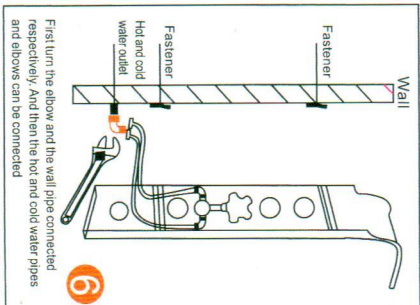
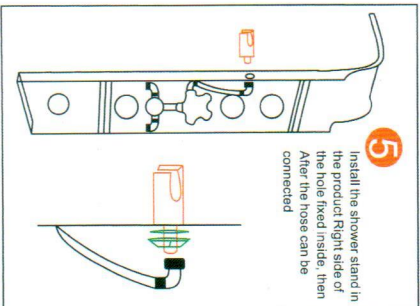
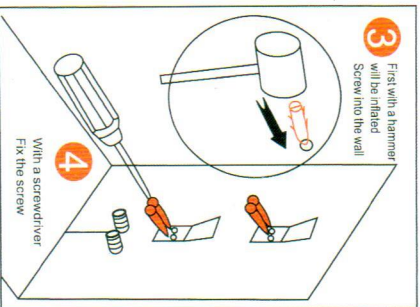
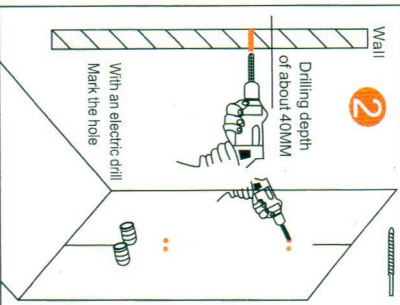
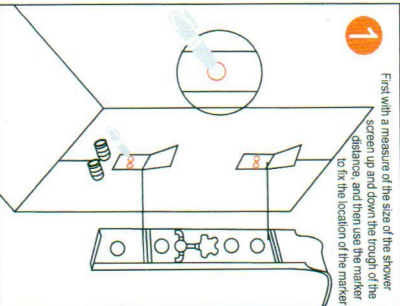


Shower screen series installation diagram

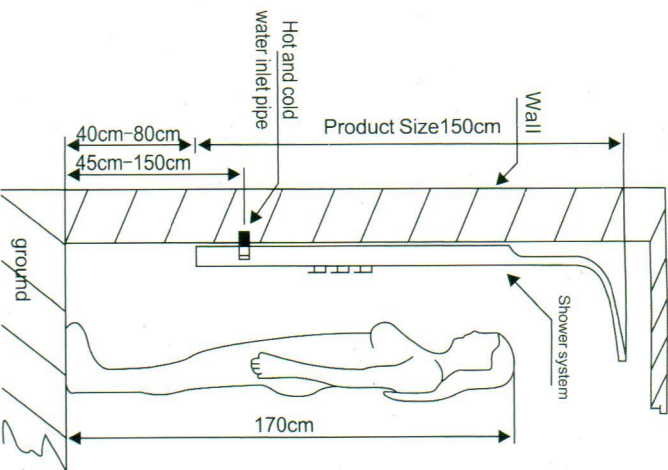
Required tools: electric drill, screwdriver, marker, Hammer, wrench, tape measure



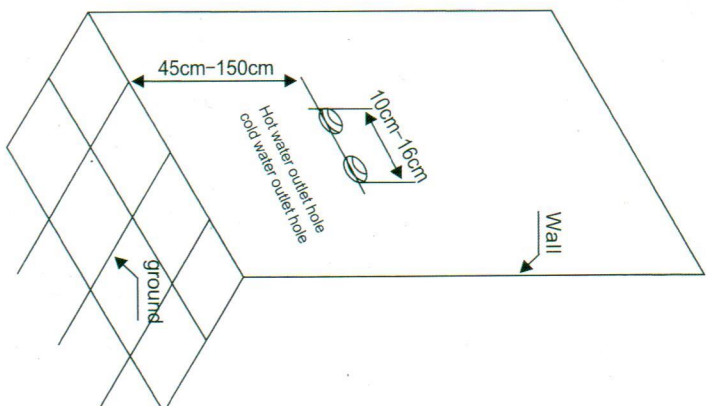
1. the shower screen installation height can be flexible and applicable
2. Hot and cold water within 20CM can be installed within the distance.
3. Combined with the toilet wall to avoid the height of hot and cold water outlet and the height of their own need to install the shower screen at a suitable height position can be.



Installation Complete side reference dimension drawing



Reserved water layout



Installation Notes

1. According to the height of the family height budget shower system installation height, measuring the shower system on the back of the bar. Distance, mark on the wall, in the corresponding position of the tag fixed hanging iron (up and down each one)
2. Connect the hot and cold water hose (be sure to clean the magazine and the dirt in the wall Scale, so as not to block, affect the water effect);
3. Shower system hanging on the wall, the upper and lower two cards were clamped in two hanging paste (Note: shower After the system wall, the main body close to the wall is not shaking, do not need to use another glass glue and other tool fixed).

Stainless steel shower system maintenance methods:

1. Regular cleaning of the product in order to keep its appearance bright and clean;
2. Clean the surface with water or a mild detergent and wipe it with a soft towel.
3. Note that the clean product of the hidden position, timely cleaning can make products lasting.