

**Sliding Gate Opener
User Manual**

Dear users,

Thank you for choosing this product. Please read the manual carefully before assembling and using it. Please do not leave out the manual if you send this product to a third party.

1. Safety Instruction



Please ensure that the using power voltage matches with the supply voltage of gate opener (AC110V or AC220V); kids are forbidden to touch the control devices or the remote-control unit.

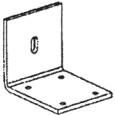
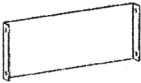
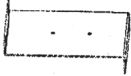

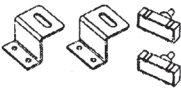
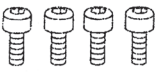
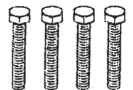



The remote-control unit is controlled by a single button mode. The indicator light on the remote-control unit will flicker when the button on it is pressed. Main engine and gate can be unlocked by disengagement wrench and the gate can move with manual operation after disengagement.

Please ensure that no one is around the main engine or gate when the switch is operated and it is usually demanded to examine the stability of installation. Please temporarily stop using if the main engine needs repairing or regulation.

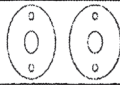

The installation and maintenance of the products must be carried out by professionals.

2. Packing List (standard / detachable mounting base)

No.	Picture	Name	Quantity
1		Main engine	1
2		Manual release key	2
3		Remote control (without battery) (battery model 27A 12V)	2
4		Sprocket cover	1
5		Chain link	2
6		Chain	6m
7		Tie rod	2
8		Square screw	4
9		Round screw	4

No.	Picture	Name	Quantity
10		Door connecting plate	2
11		Horizontal mounting plate	1
12		Vertical mounting plate	2
13		Expansion screws	4
14		Magnetic limit switch block	1
15		Inner hexagon screw M6x16	4
16		Hexagon screw M6x70	4
		Hexagon screw M8x35	4
17		Nut M6	16
		Nut M8	8
18		Flat washer $\phi 8$	12
19		Spring washer $\phi 6$	16

2. Packing List (optional)

No.	Picture	Name	Quantity
1		Infrared sensor	1
2		Wireless keypad	1

3. Technical parameters

Model	SL600ACL
Power supply	220V/50Hz;110V/60Hz
Motor power	370W/550W/750W/1200W
Maximun weight of gate	800kg/1200kg/1800kg/2400kg
Gate moving speed	12m/min
Remote control distance	$\geq 30m$
Remote control mode	Single button mode
Limit switch	Magnetic limit switch
Noise	$\leq 58dB$
Working duty	S2, 15min
Recording of up remote controls	25
Frequency	433.92 MHz
Working temperature	$-20^{\circ}C \sim +70^{\circ}C$
Package weight	20.5Kg

4. Installation

SL600ACL sliding gate opener is applicable to gate weight less than 600kg, and length of the sliding gate should be less than 8m. The drive mode adopts the sprocket and chain transmission. This gate opener must be installed inside the enclosure or yard for protection.

4.1 Installation drawing

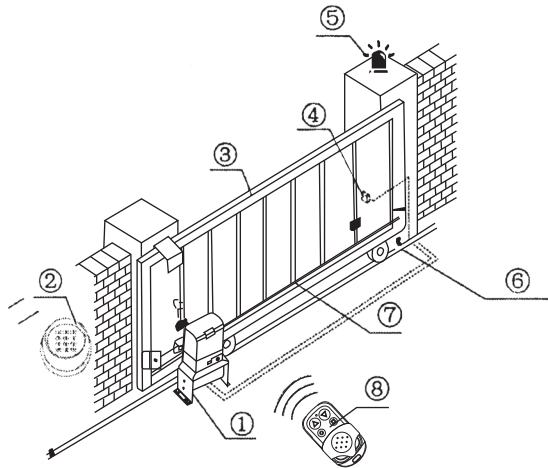
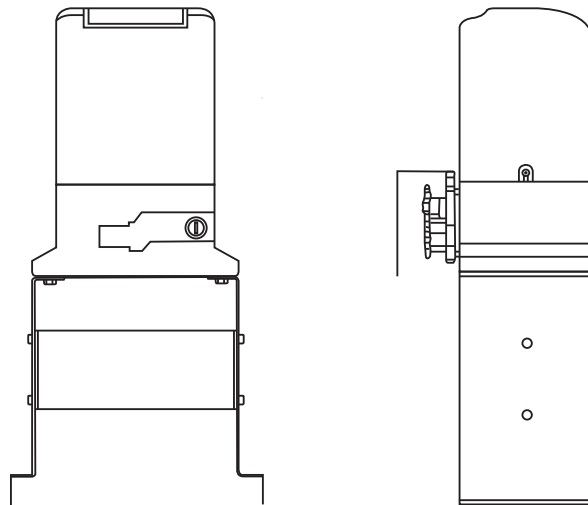


Figure 1

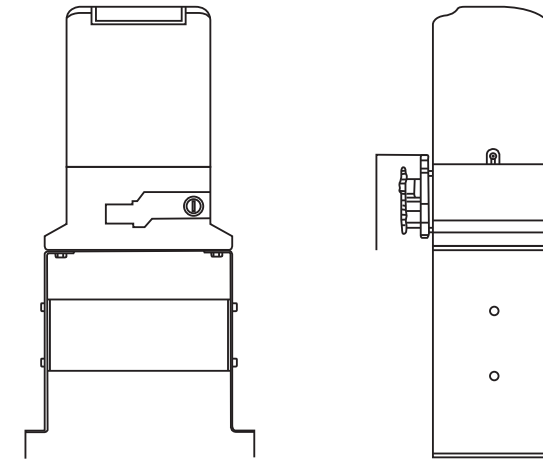
- ① Gate opener; ② Wireless keypad (optional); ③ Gate; ④ Infrared sensor (optional);
 ⑤ Alarm lamp (optional); ⑥ Safety stop block; ⑦ Chain; ⑧ Remote control;

4.2 Size of main engine and accessories

4.2.1 Size of main engine



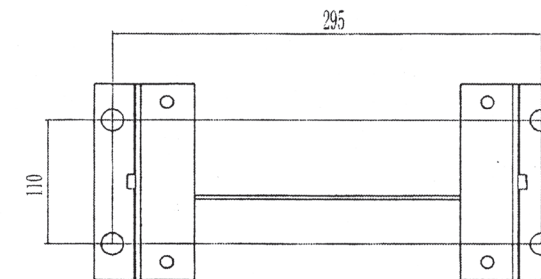
Detachable mounting base



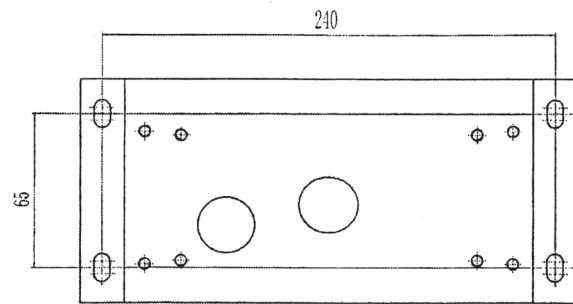
One-piece mounting base

Figure 2

4.2.2 Size of embedded hole



Detachable mounting base



One-piece mounting base
Figure 3

4.3 Installation procedures

4.3.1 Preparation work before installation

Please ensure that the sliding gate is correctly installed, the gate rail is horizontal, and the gate can glide back and forth smoothly when moved by hands before installing the gate opener.

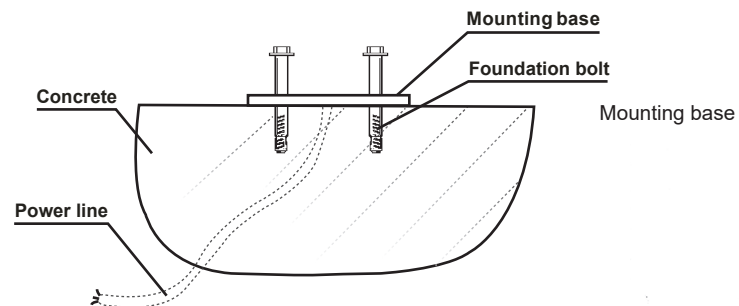
Cable installation

Please bury the motor & power cable and controlling cable with PVC tube, and use two PVC tubes to bury (motor & power cable) and (controlling cable) separately, so as to guarantee normal operation of the gate opener and protect the cables from damages.

Concrete pedestal

Please cast a concrete pedestal with the size of 500mm x 350mm and depth of 200mm in advance, so as to firmly install SL600ACL gate opener. Please verify whether the distance between the gate and gate opener is suitable before casting the pedestal.

Embedded screws



4.3.2 Main engine installation

- Dismantle the plastic housing on the main engine before installation and keep relevant fasteners properly;
- If select the detachable mounting base, the base should be assembled first as shown in Figure 5;

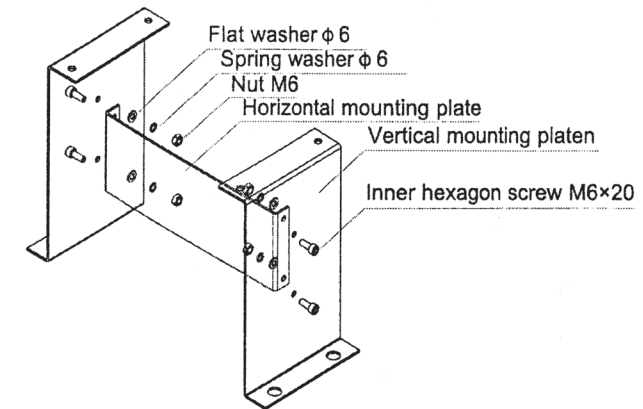


Figure 5

- Assemble the machine engine to the mounting base as shown in Figure 6;

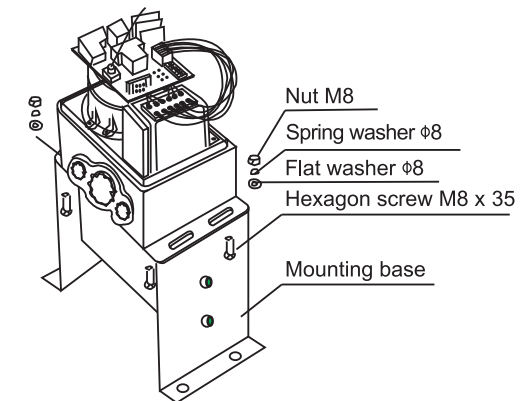


Figure 6

- Please prepare the power line for connecting mounting plate and main engine (the number of power supply cable core shall not be less than 3 PCS, the sectional area of cable core shall not be

lower than 1.5mm² and the length shall be determined by users according to the field situation) due to different installation environments;

e) Please unlock the main engine before installation, the unlock method is: take out the key cover, insert the key, and open the manual release bar till it rotates by 90° as shown in Figure 7. Then turn the output sprocket and the sprocket can be rotated easily;

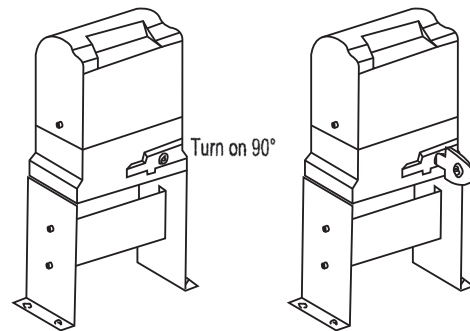


Figure 7

4.3.3 Chain installation

Close the gate; connect the tie rod with chain through chain link; fasten the tie rod to the door connecting plate by washers and nuts as shown in Figure 8. If necessary, the elasticity of chain can be adjusted through the tie rod at both ends as shown in Figure 9 and 10. If necessary, the chain can be shortened. If it need to be lengthened, make sure to use same type of chain.

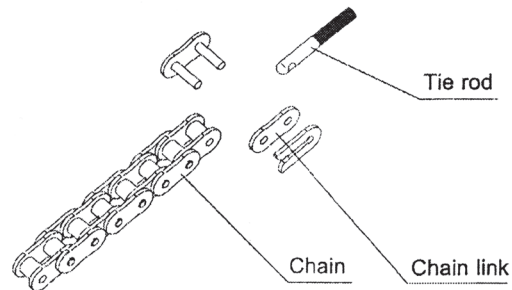


Figure 8

If door frame is round, please use the round screw as shown in Figure 9:

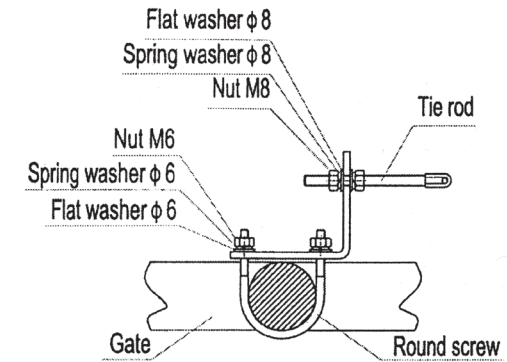


Figure 9

If door frame is square, please use the square screw as shown in Figure 10:

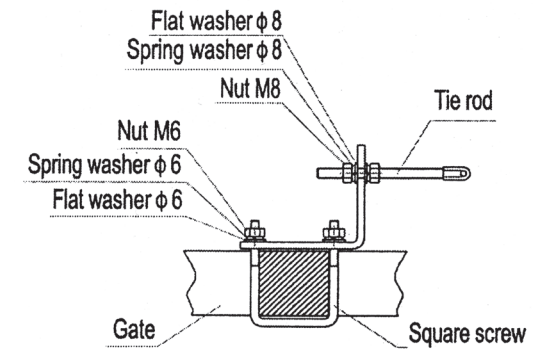


Figure 10

Installation of chain, small and big sprocket as shown in Figure 11:

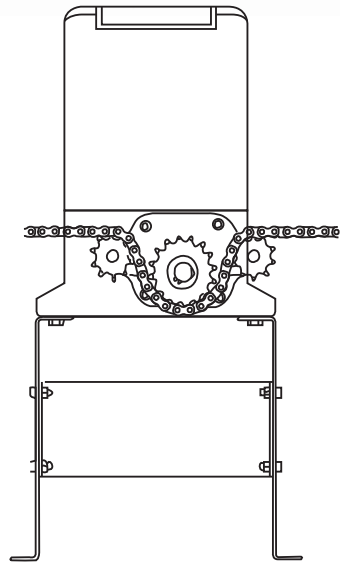


Figure 11

Installation of sprocket cover as shown in Figure 12:

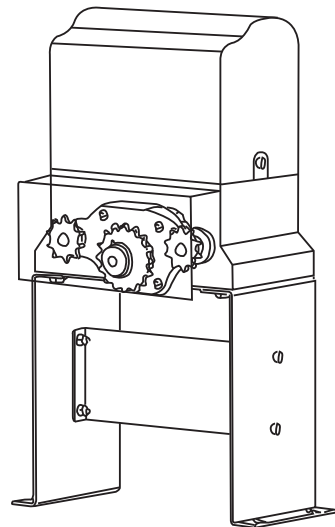


Figure 12

The distance between main engine and chain ends should be at least 30CM, as shown in Figure 13:

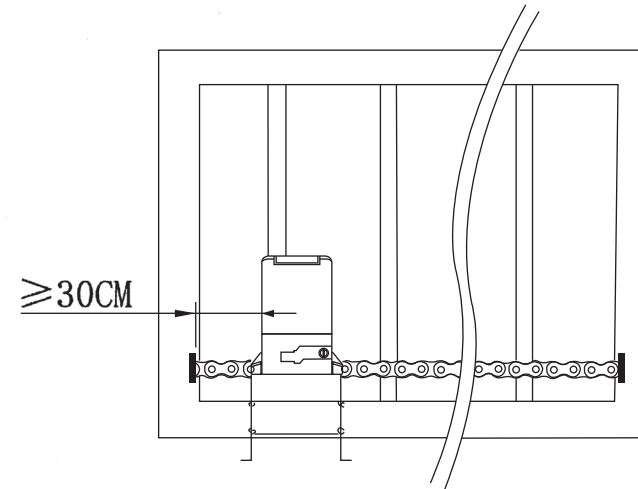


Figure 13



Warnings

- To ensure safety, install safety stop blocks on both ends of the rails to prevent the gate out of the rail.
- Before installing the main engine, make sure that the safety stop blocks are in place and whether it has the function of preventing the gate from moving out of the rail and out of the safety range.
- Please ensure that the main engine and its components have good mechanical properties, and the gate can operate flexibly when moved by hands before installing the main engine.
- In this product, one control can drive one main engine only, otherwise, the control system will be damaged.
- Earth leakage circuit breaker must be installed where the gate movement can be seen, and the minimum mounting height is 1.5m to protect it from being touched.
- After installation, please check whether the mechanical property is good or not, whether gate movement after manual unlocking is flexible or not, and whether the infrared sensor (optional) is installed correctly and effectively.

4.3.4 Limit switch adjustment

Use the manual release key to unlock gate opener and manually move the gate to the predetermined position; fix the magnetic limit switch block and close the clutch; testing run after power on, slightly adjust the position of the magnetic limit switch block until the gate reaches the desired open and close limit location.

Installation of magnetic limit switch block:

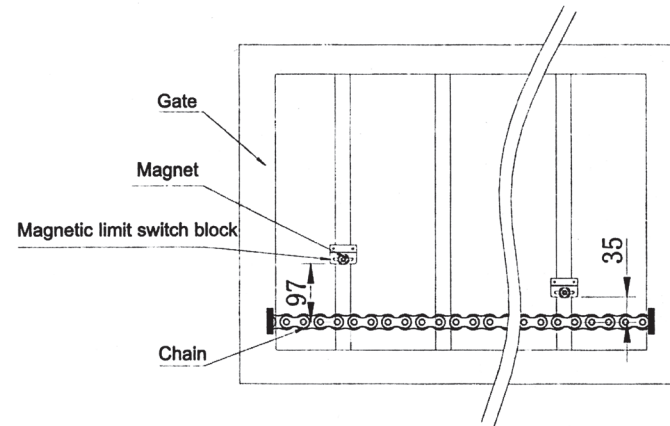


Figure 14

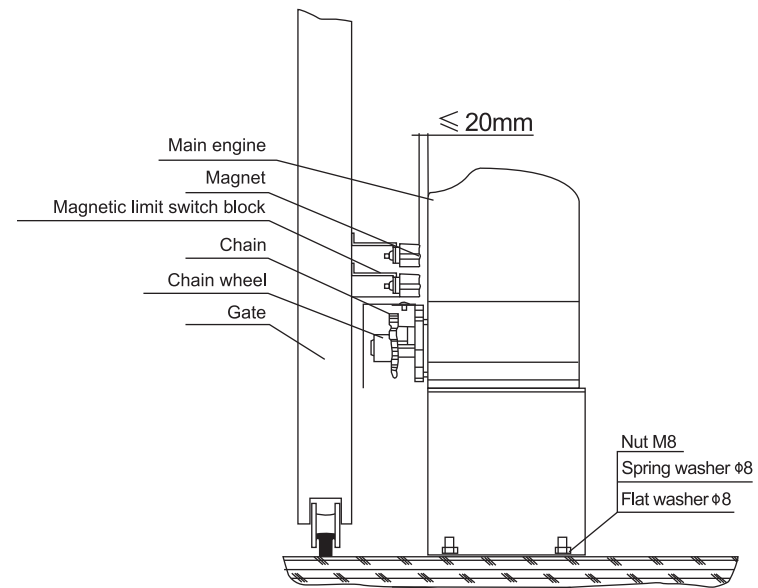


Figure 15

Note: The default setting is right side mounting. (According to actual situation, please refer to the "Note" of section 4.3.5.1 and 4.3.5.2 "Adjustment and operation" to adjust.)