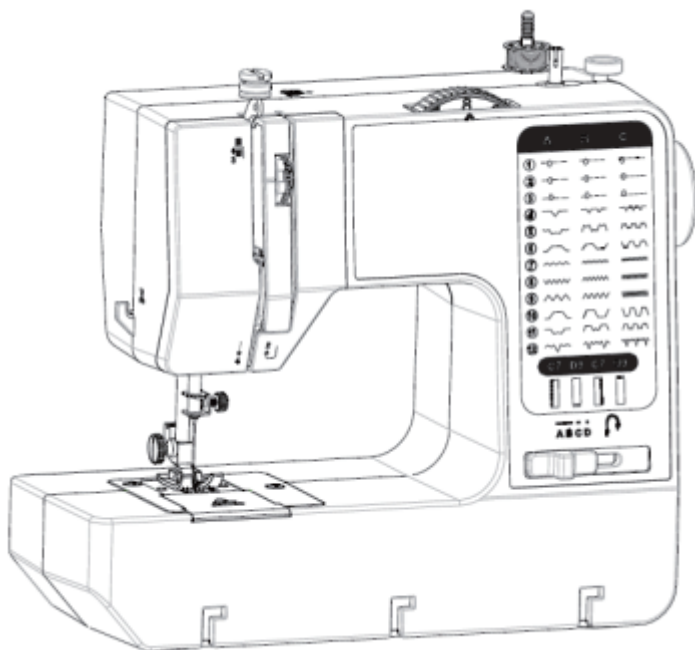


VEVOR[®]

**SEWING MACHINE
USER MANUAL**

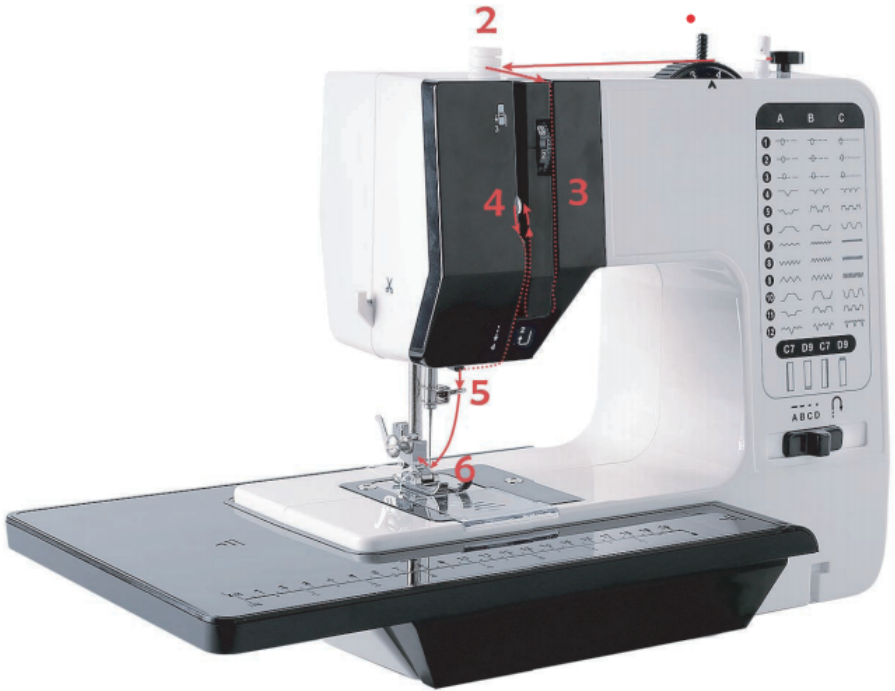


NEED HELP? CONTACT US!

Have product questions? Need technical support? Please feel free to contact us:

CustomerService@vevor.com

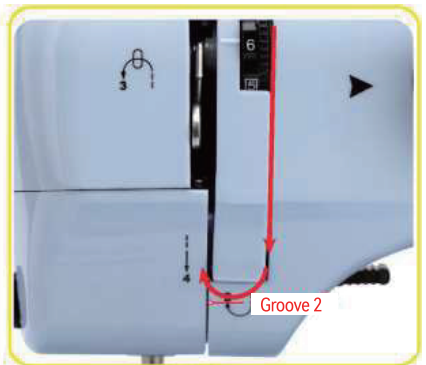
This is the original instruction, please read all manual instructions carefully before operating. VEVOR reserves clear interpretation of our user manual. The appearance of the product shall be subject to the product you received. Please forgive us that we won't inform you again if there is any technology or software updates on our product.



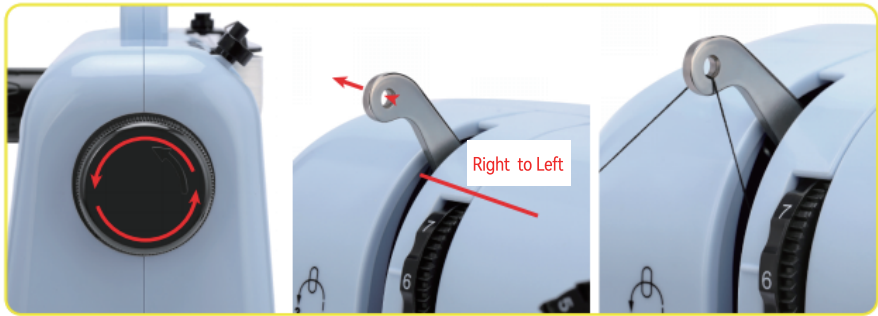
1. Put a spool on the Thread-Spindle and Pull the thread out from the spool about 4 inch long.



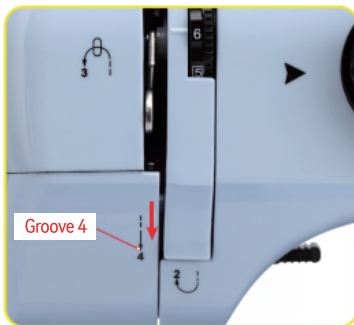
2. Put the thread through the Tension-Disk down through the gap.



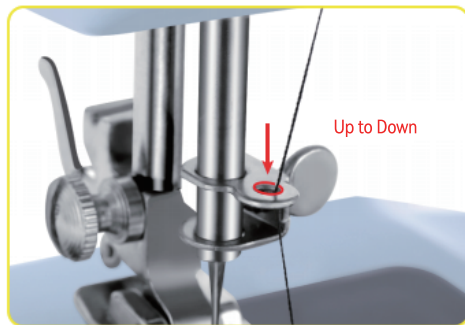
3. Pass the thread From Right To Left through the Groove 2 of Take-Up-Lever.



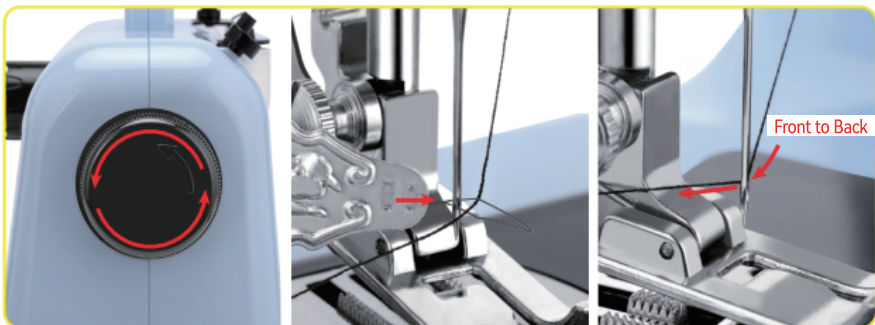
4. (Turn the Hand-Wheel Counterclockwise to Lift Out the Take-Up-Lever) Then Pass the thread From Right To Left through the hole of the Take-Up-Lever.



5. Pass the thread From Right To Left through the Groove 4 of Take-Up-Lever.



6. Pass the thread through the Hole of the Needle-Bar From Up To Down.



7. (Turn the Hand-Wheel Counterclockwise to Lift Up the position of Needle High Up from the Press-Foot.) Using the Threader (Included) to pass the thread through the Needle-Hole From Front To Back, and pull the thread out about 4 inch long. (Make sure the thread length more than 4inch before threading, or else the thread is difficult to find.)

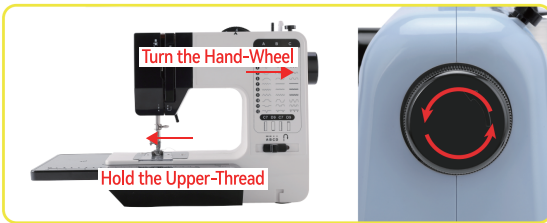
EXTRAER EL HILO INFERIOR (DRAWING UP THE BOTTOM THREAD)



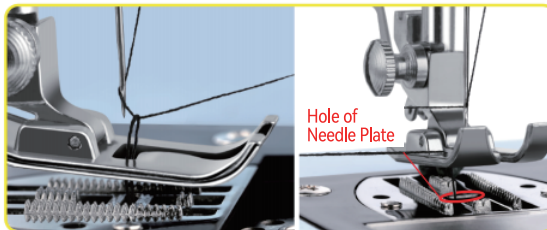
1. Using the Presser-Foot-Lifter to Lift Up the Presser-Foot.



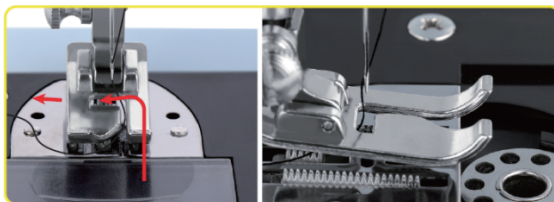
2. Put the Bottom-Bobbin in, and pull the thread out about 4 inch long. (Make sure the thread length more than 4inch before threading, or else the thread is difficult to find.)



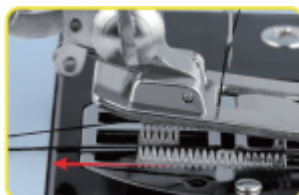
3. One hand hold the Upper-Thread Another hand turn the Hand-Wheel Counterclockwise for the needle to Pick Up the Bottom-Thread. (Make sure turn the hand-wheel Counterclockwise, or else the bottom-thread wouldn't be pick up.)



4. Pull the Upper-Thread until you see the Bottom-Thread is drawn up from the hole of needle plate with Upper-Thread. Then Pull out the Bottom-Thread to Separate from the Upper-Thread.



5. Put the Upper-Thread Left & Under the Presser-Foot.

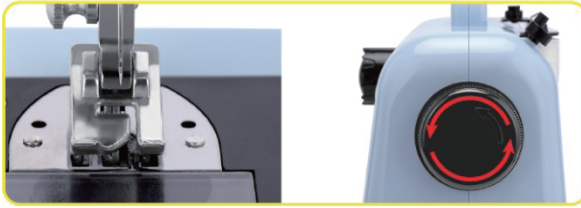


6. Upper and Bottom thread backward Together.

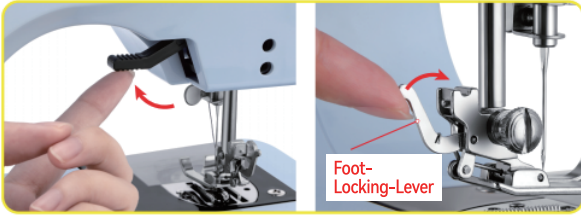


7. Put in your cloth under the Presser-Foot then Put Down your Presser-Foot. After Connected to the power supplies, you can start your sewing right now.

REEMPLAZAR EL PRENSATELAS (REPLACING THE PRESSER-FOOT)



1. Turn the Hand-Wheel Counter-clockwise to Lift Up the position of Needle High Up from the Press-Foot.



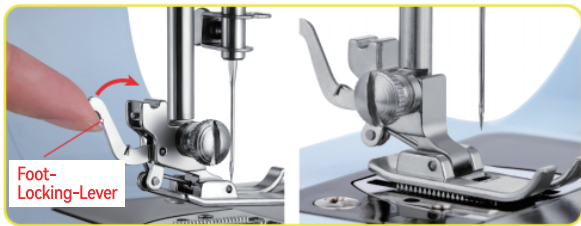
2. Using the Presser-Footer-Lifter to Lift Up the Presser-Footer. Lift the Foot-Locking-Lever to Release the original Presser-Footer (drop off automatically from the locking device).



3. Presser-Footer to the hole of the Locking-Device.



4. Put Down the Presser-Footer-Lifter (the hole of the Locking-Device will match the rack of new Presser-Footer).

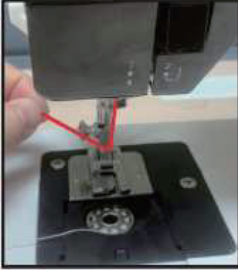


5. Then Lift the Foot-Locking-Lever (the presser foot will engage automatically).



6. Lift Up the Presser-Footer-Lifter and done.

INSERTING THE BOBBIN



Hold the upper-thread



Turn the handwheel for 2 circles
Attention!
Follow the direction of the arrow



pull out the thread of
the bobbin



The upper-thread
must be 15cm at least

WINDING THE BOBBIN



Tips: When to lift the Needle/ Presser-foot

1. Needle

Using Hand-wheel to control needle, (as well as bottom-thread)



Lift the Needle Before	Putting in/ taking out the cloth
	Threading
	Re-inserting a new needle
Put Down the Needle Before	Sewing

2. Presser-foot

Using Presser-foot Lever to control the presser-foot.



Lift the Presser-foot Before	Putting in/ taking out the cloth
	Threading
	Change the old presser-foot
Put down the Presser-foot Before	Sewing
	Re -Inserting a new needle
Put down the Presser-foot After	Put in the cloth

WARNING

1. Do Not allow to be used as a toy. Children must be accompanied by a guardian while using.
2. Never operate the appliance with any air openings blocked of the machine. Keep ventilation openings of the sewing machine and foot controller free from accumulation of lint, dust, and loose cloth.
3. Keep fingers away from all moving parts. Special care is required around the sewing machine needle.
4. Do Not use bent needles.
5. Do Not pull or push fabric while stitching. It may deflect the needle causing it to break.
6. Please Turn Off the machine or Unplug when the machine is Not Operating properly.

1. IMPORTANT SAFETY INSTRUCTIONS



Read these instructions carefully and retain them for future use. If this product is passed to a third party, then these instructions must be included.

When using electrical appliances, basic safety precautions should always be followed to reduce the risk of fire, electric shock, and/ or injury to persons including the following:



CAUTION Risk of injury! Risk of damage!

- This appliance can be used by children aged from 8 years and above and persons with reduced physical, sensory or mental capabilities or lack of experience and knowledge if they have been given supervision or instruction concerning use of the appliance in a safe way and understand the hazards involved.
- Children shall not play with the appliance.
- Cleaning and user maintenance shall not be made by children without supervision.
- The appliance is only to be used with the power supply unit provided with the appliance.
- Appliance must only be supplied at safety extra low voltage corresponding to the marking on the appliance.
- Unplug the appliance before carrying out maintenance or replacing lamps.
- Unplug the appliance and remove the batteries when making any adjustment in the needle area, such as threading needle, changing needle, threading bobbin, or changing presser foot, and the like.
- Switch off or unplug the appliance when leaving it unattended.
- Use this appliance only for its intended use as described in this manual.
- Keep fingers away from all moving parts. Special care is required around the sewing machine needle.



CAUTION Risk of electric shock!

- Do not attempt to repair the appliance yourself. In case of malfunction, repairs are to be conducted by qualified personnel only.
- Do not immerse the electrical parts of the appliance in water or other liquids. Never hold the appliance under running water.
- Do not operate the appliance with wet hands or while standing on a wet floor. Do not touch the power plug with wet hands.
- Disconnect the plug from socket outlet when not in use, before any maintenance and before cleaning.
- Regularly check the plug and supply cord for damage. If the cord is damaged the power adapter should be scrapped.

- Never use accessories which are not recommended by the manufacturer. Only use original parts and accessories.

- Never use accessories which are not recommended by the manufacturer. Only use original parts and accessories.
- Place the appliance on a level, dry and sufficiently stable surface.
- Do not place the appliance on or near hot surfaces.
- Lay out the supply cord in such a way that no unintentional pulling or tripping over it is possible.
- Never look away from the needle while sewing.
- Do not pull or push fabric while stitching. It may deflect the needle causing it to break.
- Do not use bent, blunt or damaged needles.

2. BEFORE FIRST USE

ATTENTION

- Power adapter and foot switch shall comply with the socket.
- Power adapter and foot switch are only allowed for application with this product.
- It is forbidden to apply other power adapter to this product.

2.1 Power connection



- The power jack of the sewing machine locates in the bottom right, show in Fig. Plug the power adapter into A.
- Plug the power plug of the power adapter to B, show in the Fig.

2.2 Foot switch connection



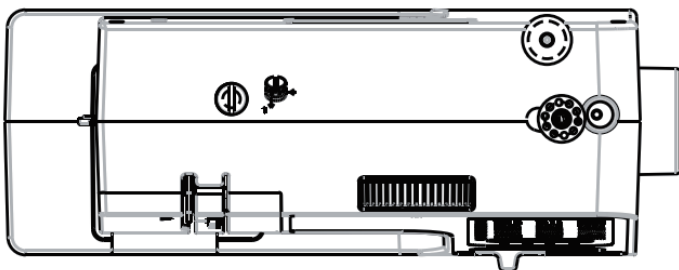
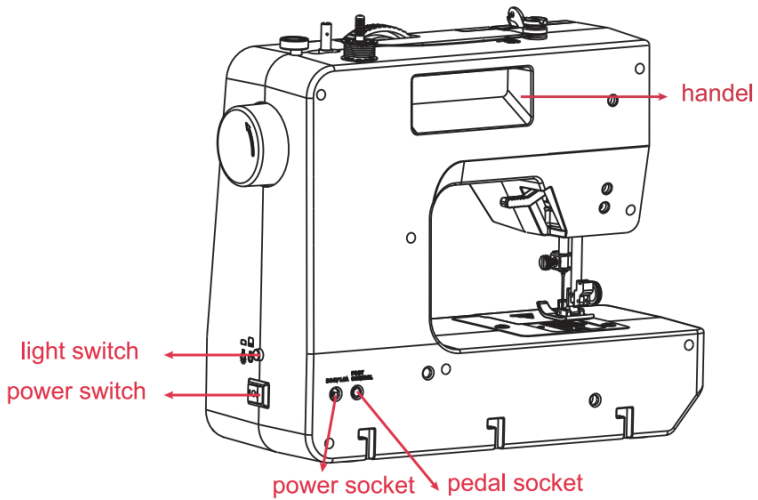
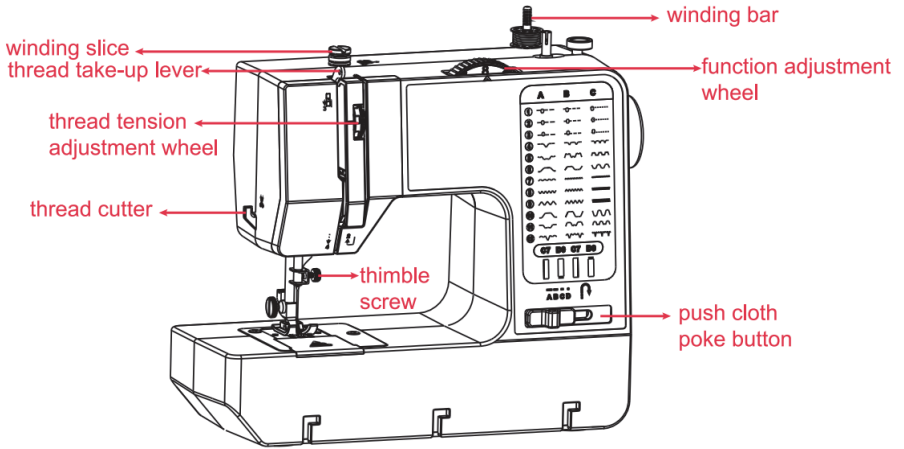
- The foot switch jack lines in the bottom right of the sewing machines, show in the Fig. Plug the foot switch into C.
- Plug the power plug of the power adapter to B, show in the Fig.

2.3 How to remove and install the accessory box



- Pull the accessories box from the left side of the machine to 0.8CM.
- The machine is pulled up and the accessories box is removed.
- Move the accessories cover to the right by 1CM.
- Open the accessories cover and take out the accessories you want to use.
- After using the accessories, put it back to the right side of the accessories box at 1CM.
- Cover the accessories box and push the box to the left.
- Place the machine in the specified position.
- Push the accessories box to the right to install the machine.

3. COMPONENT INTRODUCTION



4. ACCESSORIES



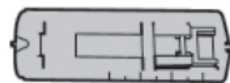
Bobbins



Sewing Needles



Threader Buttonhole



Presser foot

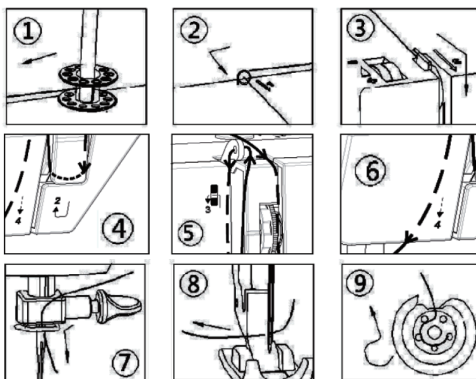
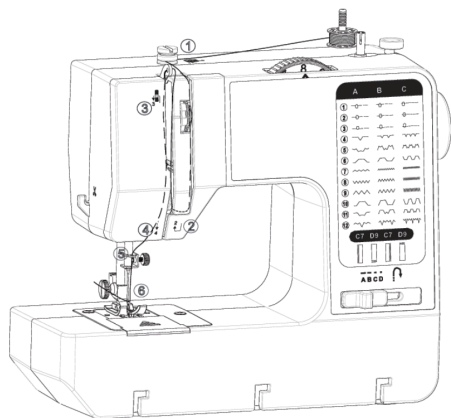
5. SEWING SETUP



CAUTION Risk of injury! Risk of damage!

■ Unplug the appliance when making any adjustment in the needle area, such as threading needle, changing needle, threading bobbin, or changing presser foot.

5.1 Threading the upper thread

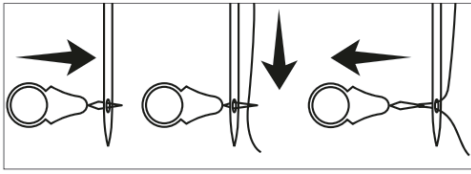


- Open the head cover , Put the bobbin clockwise on the spool pin, show in Fig.1.
- Pass the thread of the bobbin through the hole of winding slice from back to front, show in Fig 2.
- Pull the thread clamp and place the thread from top to bottom into the clamping piece, then release, show in Fig3.
- Wrap the thread from the bottom into the casing marked 3 and then up, show in Fig 4.
- Pass the thread from left to right through the pull rod hole, show in Fig 5.
- Pass the thread through the ring, show in Fig 6.
- Pass the thread through the needle clamp, show in Fig 7.
- Wind the thread end to the needle eye, show in Fig 8.
- Place the bottom thread in clockwise direction, show in the figure.

NOTICE

Make sure the thread passes through the thread clamp. When through the upper thread tension adjustment wheel , poke the thread clamp slightly to make sure there is no thread jamming. It is strictly required to follow the above steps during threading.

5.1.2. Using the needle threader



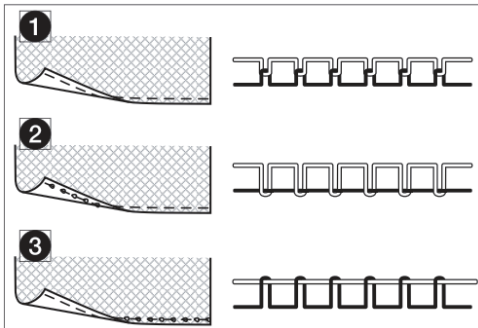
- 1.Insert the needle threader through the eye of the needle from the back to the front.
- 2.Pass the thread through the wire loop of the needle threader.
- 3.Pull the needle threader together with the thread back through the eye.

5.1.3. Adjusting the thread tension

The thread tension should be adjusted for different fabrics. The required tension depends on the weight and thickness of the fabric.

Turn the thread tension adjustment wheel to adjust the tension of the upper thread:

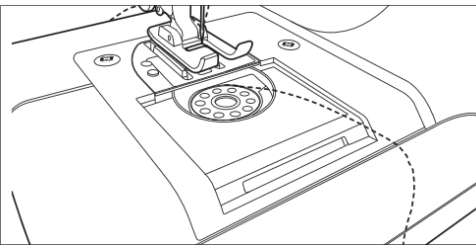
- To increase the tension, turn the thread tension adjustment wheel to a higher number.
- To reduce the tension, turn the thread tension adjustment wheel to a lower number.



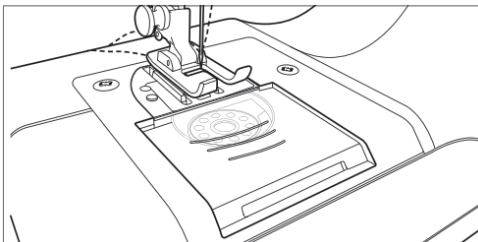
- 1.Normal thread tension
- 2.Upper thread tension too loose
- 3.Upper thread tension too tight

5.2 Inserting the bobbin

- 1.Turn the hand wheel anti-clockwise to raise the needle to the highest point.
- 2.Slide the bobbin cover to remove it.



- 3.Place a bobbin in its chamber with its thread going clockwise. Pull the thread towards the back so there is at least 10 cm of loose thread.
- 4.Hold the end of the upper thread and turn the hand wheel anti-clockwise with the other hand until the needle is raised again.
- 5.Pull on the upper thread to draw up the bobbin thread through the stitch hole of the presser foot.

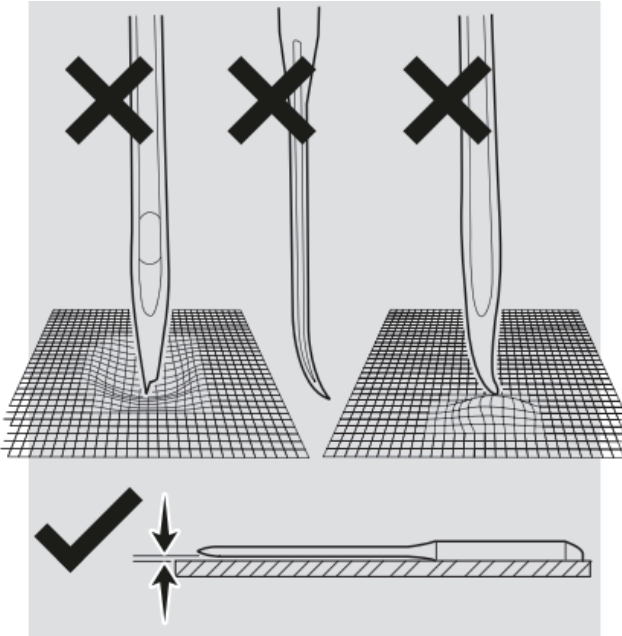


- 6.Refit the bobbin cover. Pull out approximately 10 cm of both threads and lay them to the back under the presser foot.

5.3 Replacing the needle

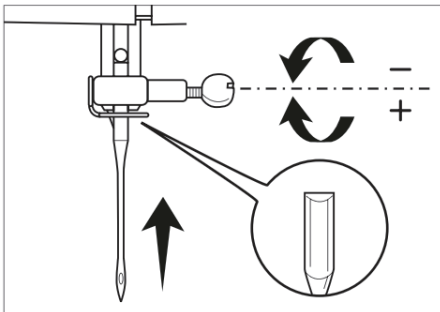
NOTICE

■ Change the needle regularly. Bent, blunt or damaged needles can cause damage to the product or fabric. To achieve optimal sewing results, the needle should be straight and sharp:



■ This method can be used to attach the normal needles and the twin needle.

1. Turn the hand wheel anti-clockwise to raise the needle to the highest point. Lower the presser foot lever.



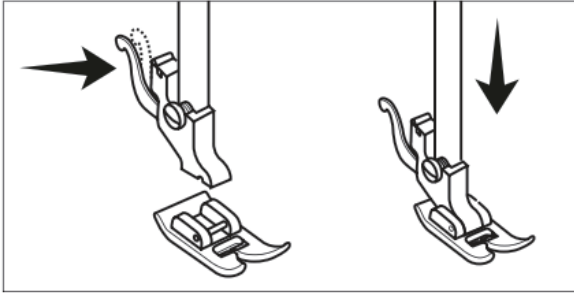
2. Turn the needle clamp screw anti-clockwise to loosen it and remove the needle from the needle clamp.
3. Insert a new needle into the needle clamp with the flat side of its shank facing towards the back of the product.
4. Push the needle all the way into the needle clamp and tighten the needle clamp screw to secure the needle.

5.4 Removing or attaching the presser foot

The presser foot is used to hold down the fabric while sewing. Always place the upper and bobbin threads under the presser foot before sewing.

NOTICE

Use this method to install the presser foot, the button hole presser foot and the zipper presser foot.



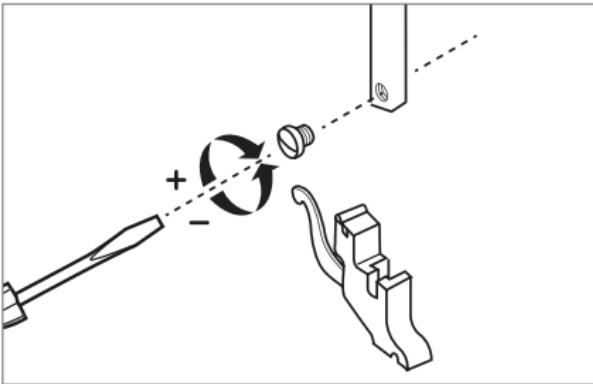
1. Turn the hand wheel anti-clockwise to raise the needle to the highest point. Raise the presser foot lever.
2. Press the presser foot locking lever. The presser foot drops off.
3. Place the presser foot under the presser support, lower the pressure foot lever and press the presser foot locking lever. The presser foot locks into place.

5.5 Removing or attaching the presser support

NOTICE

Remove the presser foot before you remove the presser support. See section "Replacing the presser foot" for details.

1. Turn the hand wheel anti-clockwise to raise the needle to the highest point. Raise the presser foot lever.



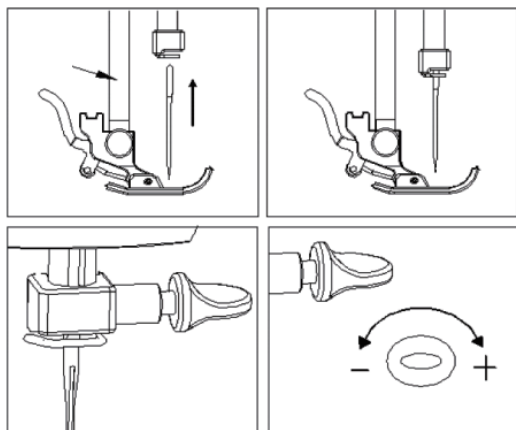
2. Loosen the presser set screw by turning the screwdriver anti-clockwise. Remove the presser support.

■ To attach the presser support, refit and secure it by turning clockwise, tightening the presser set screw.

5.6 Change and installation of sewing needle

NOTICE

Only use 14#(90) needles for home use, Other needles may bend or break and cause injury. Never sew with a bent needle . A bent needle will be easily break and cause injury.



Extraction and installation of sewing needle must be implemented with power off and comply with the following steps:

- Turn "OFF" the power and rotate the hand wheel.
- Lift the needle bar and sewing needle to the height shown in the Fig after the hand wheel rotated, and then stop rotating hand wheel to keep it in static.
- Screw counterclockwise to screw off thimble screw.
- Take out the sewing needle to be replaced.
- Pass the sewing needle through the thread guiding spring by right bottom-up approach and insert needle bar to its bottom. Then screw clockwise to screw on thimble screw.
- Make sure install the sewing needle in place until it can't insert into any more. Normal sewing needle installation must insert 7.5mm into the end of needle bar (shown in Fig), otherwise, it will cause firing-pin, thread hook, or skipped stitches.
- The plane position of the needle needs to be behind.

6. OPERATION

NOTICE

Texture-relative attentions:

The machine can't provide ordinary sewing to elastic textures, such as towel cloth, lint, elastic knitted fabric, etc.

- Keep in strict accordance with the following steps in sewing.
- Function adjustment wheel is not allowed to rotate when the machine is running.
- Adjustment of function adjustment wheel requires rotating counterclockwise the hand wheel to lift the sewing needle to the highest position.

6.1 Pattern selecting

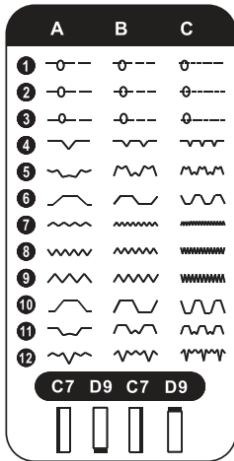


CAUTION Risk of damage!

■ Do not turn the pattern selection wheel when the needle is down into the fabric. Otherwise, the needle may bend or break.

■ It requires accomplishing "preparation before operation" step by step described in the instructions before sewing.

■ Different stitches of sewing can be selected by the function adjustment wheel whose numbers are corresponding to the figure shown on functions indication panel, enabling you to choose different stitches according to different needs. Please refer to the following Figs for more information.



6.2 Straight sewing



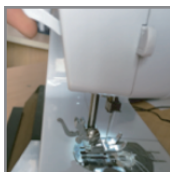
CAUTION Risk of damage!

- The upper and bobbin threads must be threaded properly.
- The correct upper thread tension must be set.

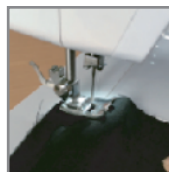
1. Select different stitch. Stitch 1-3 for Straight line sewing.
2. Move presser bar lifter upward, lift press foot and pull the bobbin thread and upper thread backward for about 10cm.
3. Put fabric under the press foot and move presser bar lifter downward to hold the fabric.
4. Turn to A or B
5. Turn power switch I or II.
6. Stamp foot pedal gently to start sewing.
7. Rotate counter clockwise the hand wheel after finishing sewing to lift the needle to highest position. Then move presser bar lifter upward and lift presser foot to move out the texture and cut thread with cutter.



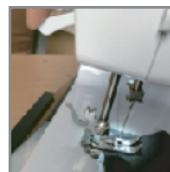
1



2



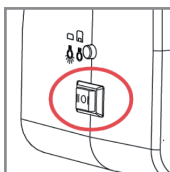
3



4



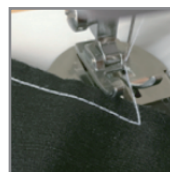
5



6



7



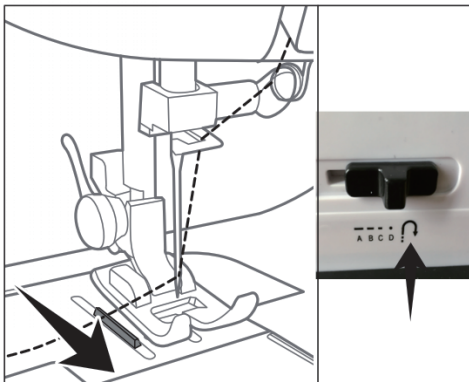
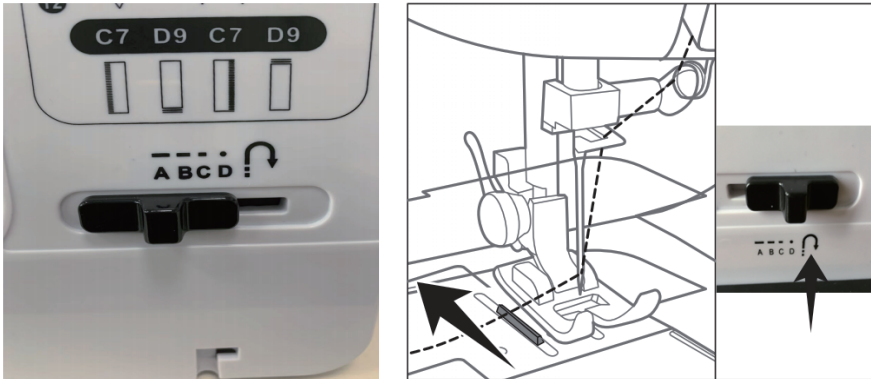
8

6.3 Reverse sewing

NOTICE

Do not add more than 6 reverse stitches at a time.

Move button to reverse when finishing sewing and sew several stitches to strengthen stitches for loose prevention, show in Fig. Reverse stitches shall not exceed 5cm. After sewing, move button to A/B position, and the machine will start sewing forward again. Reverse sewing distance is 1.5~4.5mm.



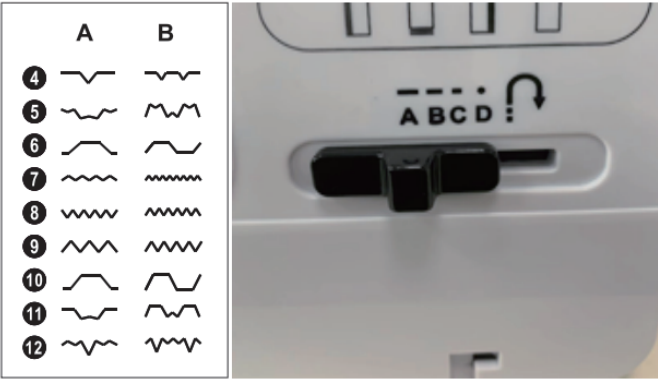
Reverse sewing is used to finish off a line of stitches or to reinforce places that needs extra strength.

The feed dog's movement reverses to move back the cloth while sewing to make a locking knot over the stitches.

Hold down the reverse button to sew back over the previous stitches to secure them.

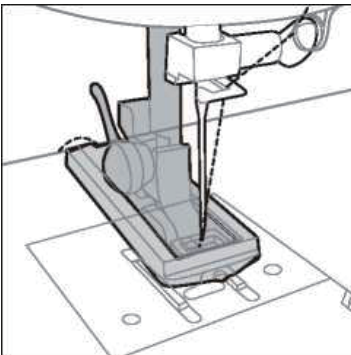
6.4 Blind sewing

The blind sewing is the same way as the straight sewing, except that the function adjustment wheel needs to be adjusted to the 4/5/6/7/8/9/10/11/12 position when selecting the stitch. The button is in the A or B position. (The difference between A and B is that A is longer than B for each stitch).



6.5 Buttonhole sewing

1. Turn the Hand wheel counter-clockwise (toward you) to raise the Needle to the highest point. Raise the Presser foot lifter.
2. Remove the Presser foot for instructions on how to remove the Presser foot, refer to the section "Removing or attaching the Presser foot" on this instruction manual. Attach the Buttonhole presser foot to the Presser foot holder.

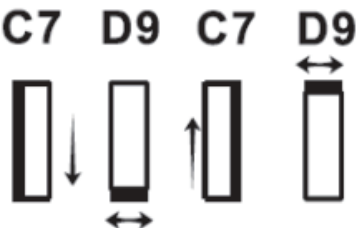


3. Mark the desired length of the buttonhole on the fabric.
4. Place the fabric under the Presser foot and set the Presser foot lifter down to secure the fabric in place, aligning the distance set on the presser foot to the length of the marked fabric.
5. Follow the 4-Step Buttonhole sewing sequence.
6. Raise the Needle to the highest point then raise the Presser foot lifter.
7. Pull out the fabric and cut the threads. Cut the buttonhole opening with the Seam ripper.

6.6 4-Step Buttonhole sewing process

1. Set the pattern to C7, then sew at low speed to the marked length.
2. Change the pattern to D9 for sewing 5-6 stitches at low speed.
3. Change the pattern to C7 at low speed to the marked length.
4. Change the pattern to D9 for sewing 5-6 stitches at low speed.

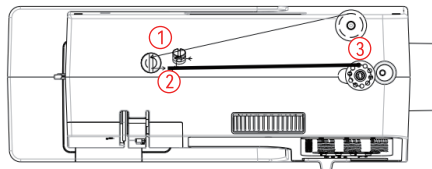
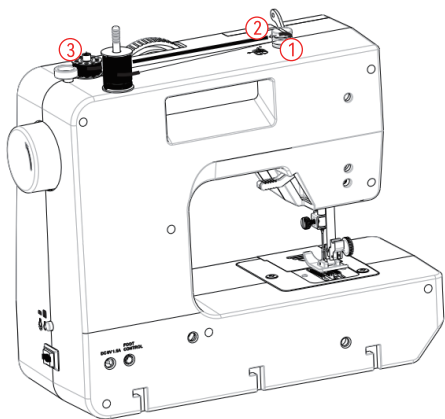
NOTE: When moving from step to step through the buttonhole process, be sure that the needle is raised before turning the Pattern selector dials to the next step. Take care not to sew too many stitches in steps 1 and 3 of this 4-step Buttonhole sequence.



6.7 Winding the bobbin

NOTICE

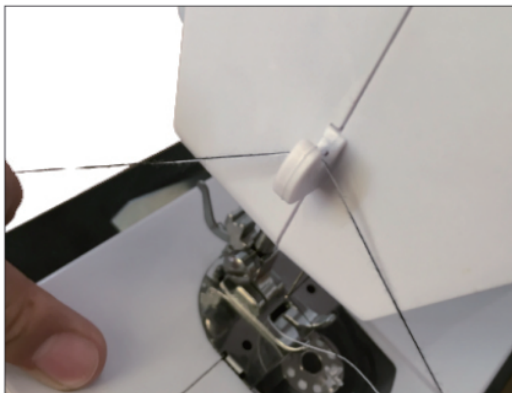
Do not move the bobbin winder while the product is running.
The sewing motion of the sewing product is disengaged in the winding process.



1. Place the thread onto spool pin.
2. Pull the thread out and cross the winding slice.
3. Insert the empty bobbin into the winding bar.
4. Turn on the power.
5. Step on the foot pedal to start winding.
6. After winding, cut the thread.

6.8 Thread cutting

Use thread cutter to cut thread, show in the Fig.



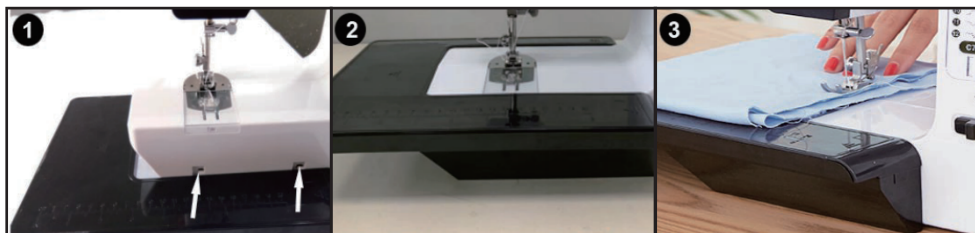
6.9 Extension table

NOTICE

The power needs to be turned off during installation.

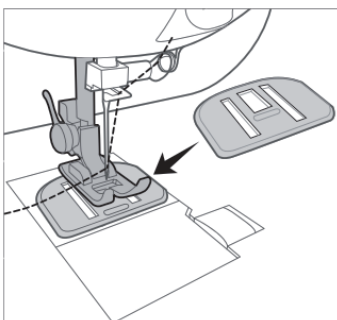
■ First, install the extension table in the groove position of the machine.

■ Lift the presser foot and place the fabric under the presser foot, lower the presser foot, adjust the thread adjustment wheel to the stitch to be sewn, and then press the seam.



6.10 Button sewing

1. Rotate the Hand wheel counterclockwise (toward you) to raise the needle to the highest point. Raise the Presser foot lifter.
2. Attach the Button sewing plate to the holes on the Needle plate. Attaching the Button sewing plate stops the fabric and button from moving up while sewing.



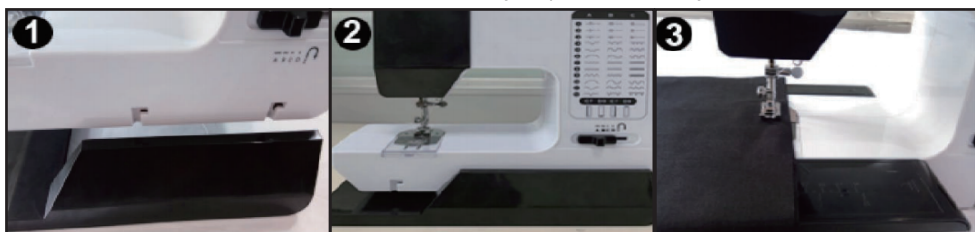
3. Place the fabric and the button in position on the Button sewing plate. Lower the Presser foot lifter to secure.
4. Turn to the pattern D9, then sew 8-9 stitch to secure the button.
5. Rotate the Hand Wheel to raise the Needle to the highest point then raise the Presser foot lifter.
6. Pull out the fabric and cut the threads.

6.11 Sewing cuffs

NOTICE

The power needs to be turned off during installation.

- Put the expansion table in reverse, and install the machine on the groove.
- Lift the presser foot and put the cuff (or the trousers) into the free cantilever directly under the presser foot, and put down the presser foot to press the cuff (or the trousers).
- Turn power switch to I or II, and stamp foot pedal gently to start sewing.



7.CLEANING AND MAINTENANCE



WARNING

Risk of electric shock!

- To prevent electric shock, unplug the product before cleaning.

■ During cleaning do not immerse the electrical parts of the product in water or other liquids. Never hold the product under running water.

7.1 Cleaning the main unit

■ To clean the product, wipe with a soft, slightly moist cloth.

■ Dry the product after cleaning.

■ Never use corrosive detergents, wire brushes, abrasive scourers, metal or sharp utensils to clean the product.

7.2 Cleaning the area inside the bobbin cover

■ Lint and bits of thread may accumulate under the bobbin cover. Check regularly and clean it with the lint brush (not included) when necessary.

7.3 Storage

■ Store the product in its original packaging in a dry area. Keep away from children and pets.

■ Store accessories in the accessories box.

7.4 Maintenance

■ Any other servicing than mentioned in this manual should be performed by a professional repair centre.

8. TROUBLESHOOTING

Problem	Solution
The product does not start.	<ul style="list-style-type: none">■ Check if the power plug is connected to the socket outlet. Check if the power socket works.■ Check if the foot control (38) is correctly connected to the foot control socket.
The thread breaks.	<ul style="list-style-type: none">■ The thread tension is not set correctly for the chosen stitch pattern or the type of fabric. Adjust the tension by using the thread tension adjustment wheel (13).■ Check if the needle (10) is bent or if the needle shank is not properly seated. Reinsert or change to a new needle.■ Check if the upper and bobbin threads are placed towards the back and under the presser foot.■ Check if there is any lint collected in the bobbin chamber. Clean with a lint brush (not included).
Stitches are skipped.	<ul style="list-style-type: none">■ Check if the product is threaded properly. Re-thread if needed.■ Check if the presser foot is too loose. Make sure the presser foot lever is set down.■ Check if the needle (10) is bent or damaged. Re-insert or change to a new needle.
The needle breaks.	<ul style="list-style-type: none">■ Change to a new needle and make sure it is inserted correctly and securely.

9. DISPOSAL



The Waste Electrical and Electronic Equipment (WEEE) Directive aims to minimise the impact of electrical and electronic goods on the environment, by increasing re-use and recycling and by reducing the amount of WEEE going to landfill. The symbol on this product or its packaging signifies that this product must be disposed separately from ordinary household wastes at its end of life. Be aware that this is your responsibility to dispose of electronic equipment at recycling centers in order to conserve natural resources. Each country should have its collection centers for electrical and electronic equipment recycling. For information about your recycling drop off area, please contact your related electrical and electronic equipment waste management authority, your local city office, or your household waste disposal service.

10.SPECIFICATIONS

	items	Description
1	Name	Sewing Machine
2	Model	UFR-738
3	Rating(s)	DC12V 1.5A
4	Package Size	340×220×290
5	G.W.	3.0kg

Manufacturer: FOSHAN UKICRA ELECTRIC CO., LTD

Address: No.6, Wanhe Road, Songxia Industrial Park, Shishan Town, Nanhai District, Foshan, Guangdong, China

Importer: WAITCHX

Address: 250 bis boulevard Saint-Germain 75007 Paris

Importer: FREE MOOD LTD

Address: 2 Holywell Lane, London, England, EC2A 3ET

EC	REP	EUREP GmbH Unterlettenweg 1a, 85051 Ingolstadt, Germany
-----------	------------	---

UK	REP	EUREP UK LTD UNIT 2264, 100 OCK STREET, ABINGDON OXFORDSHIRE ENGLAND OX14 5DH
-----------	------------	---

VEVOR[®]

E-mail: CustomerService@vevor.com