

VEVOR[®]

TOUGH TOOLS, HALF PRICE

Technical Support and E-Warranty Certificate www.vevor.com/support

COMMERCIAL EXHAUST HOOD

USER MANUAL

We continue to be committed to provide you tools with competitive price.

"Save Half", "Half Price" or any other similar expressions used by us only represents an estimate of savings you might benefit from buying certain tools with us compared to the major top brands and does not necessarily mean to cover all categories of tools offered by us. You are kindly reminded to verify carefully when you are placing an order with us if you are actually saving half in comparison with the top major brands.

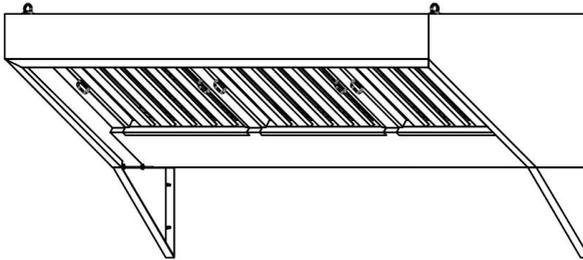
VEVOR®

COMMERCIAL EXHAUST HOOD

TOUGH TOOLS, HALF PRICE

Thanks for purchasing one of our products, please read carefully the assembly instructions before the installation.

This instruction for Use applies to all models



NEED HELP? CONTACT US!

Have product questions? Need technical support? Please feel free to contact us:

 [**CustomerService@vevor.com**](mailto:CustomerService@vevor.com)

This is the original instruction, please read all manual instructions carefully before operating. VEVOR reserves a clear interpretation of our user manual. The appearance of the product shall be subject to the product you received. Please forgive us that we won't inform you again if there are any technology or software updates on our product.

PRODUCT PARAMETERS

Model	Product Size	Range hood filter grid
FSX004	4FT (120×76×53cm)	19.5"×19.5"×1.9" (2PCS)
FSX005	5FT (150×76×53cm)	24.5"×19.5"×1.9" (2PCS)
FSX006	6FT (180×76×53cm)	19.5"×19.5"×1.9" (3PCS)
FSX007	7FT (210×76×53cm)	24.5"×19.5"×1.9" (3PCS)
FSX008	8FT (240×76×53cm)	19.5"×19.5"×1.9" (4PCS)
FSX009	9FT (270×76×53cm)	19.5"×19.5"×1.9" (2PCS) 24.5"×19.5"×1.9" (2PCS)

ASSEMBLY PRECAUTIONS

1. Assemble needs to follow these instructions. Incorrect assembly can be a hazard.
2. Wear safety goggles and heavy-duty work gloves during assembly.
3. Do not assemble when tired or when under the influence of alcohol, drugs or medication.
4. Weight capacity and other product capabilities apply to a properly and completely assembled product only.
5. Keep the assembly area clean and well-lit.
6. Keep bystanders out of the area during assembly.
7. Installation of this unit should only be performed by a qualified professional

USE PRECAUTIONS

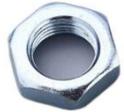


WARNING: TO PREVENT SERIOUS INJURY AND DEATH FROM TIPPING:

1. This product is not a toy. Do not allow children to play with or approach this item.
2. Use as intended only. Do not sit or stand on the product.
3. Inspect before every use. Do not use it if parts are loose or damaged.
4. Use on flat, level, and hard surfaces only.
5. Do not exceed the listed weight capacity. Tighten all knobs securely before applying load. Be aware of dynamic loading! The sudden load movement may briefly create an excess load, causing product failure.

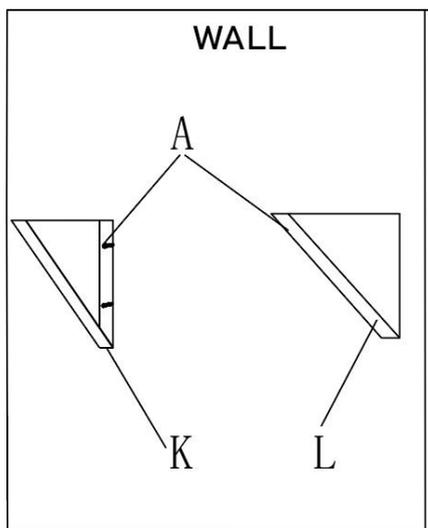
PARTS LIST

NOTE: Part not shown to actual size.

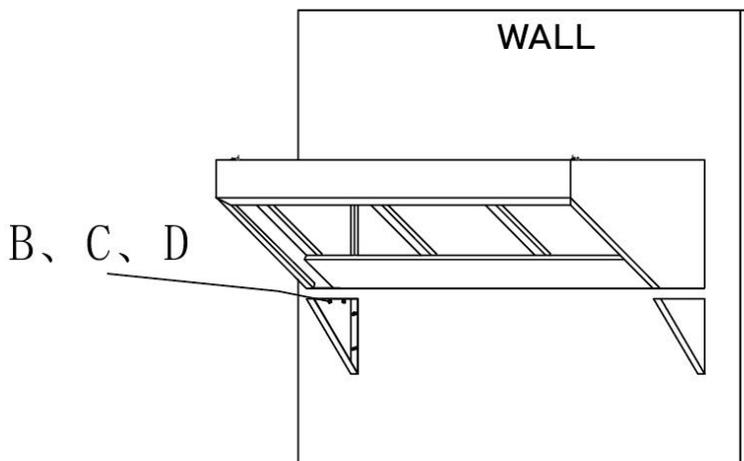
	X4 A		X4 B
	X4 C		X4 D
	E		F
	X1 G		X1 H
	X1 K		X1 L

ASSEMBLY STEPS

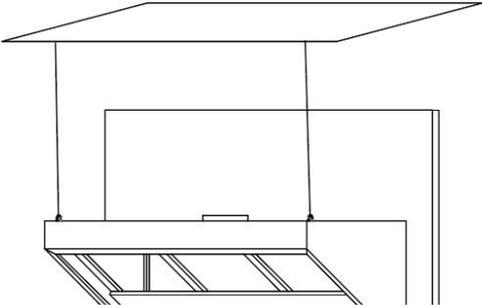
1. Install the left and right triangular bracket on the wall with expansion screws



2. Fixed the range hood body on the left and right triangle bracket through the screw combination

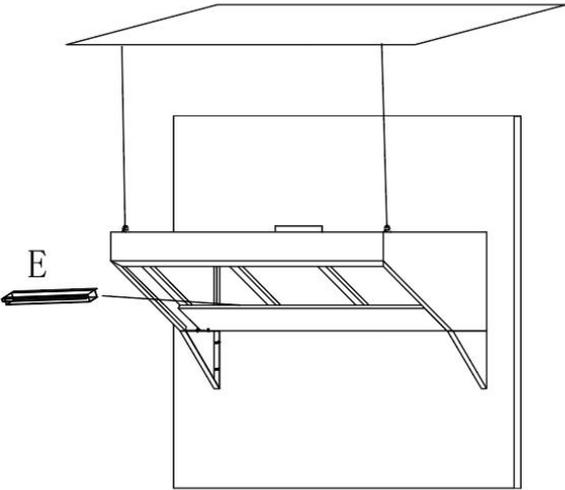


3. Attach the top 2 hanging rings in the mounting position

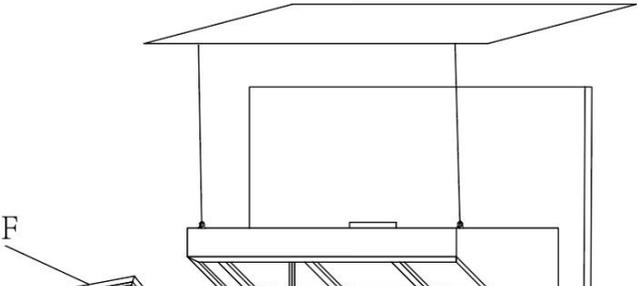


4. Install the

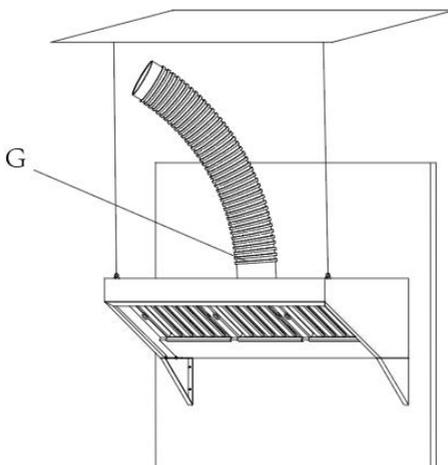
the body



5. Install the lampblack filter grid in a fixed position of the body



6. Install the smoke exhaust pipe in the fixed position of the body



Cleaning

-For cleaning, wipe the surface with a damp (not wet) cloth or wipe dry with a clean lint free cotton cloth.

VEVOR[®]

TOUGH TOOLS, HALF PRICE

Support and E-Warranty Certificate www.vevor.com/support