

# **VEVOR<sup>®</sup>**

**TOUGH TOOLS, HALF PRICE**

Support and E-Warranty Certificate

<https://www.vevor.com/support>

## **METAL WALL FAN USER MANUAL**

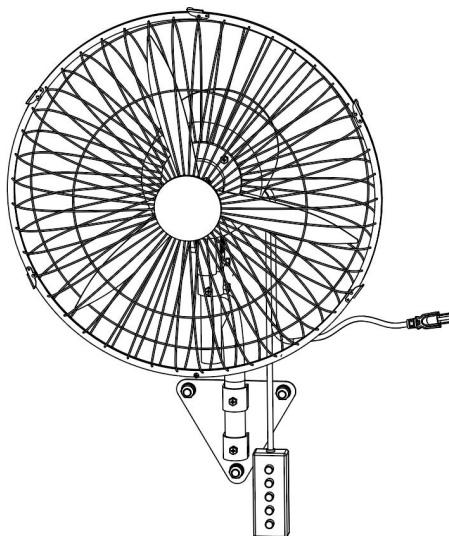
We continue to be committed to offering tools at competitive prices. "Save Half", "Half Price", or any other similar expressions used by us only represent an estimate of savings you might benefit from buying certain tools with us compared to the major top brands and do not necessarily mean to cover all categories of tools offered by us. You are kindly reminded to verify carefully when placing an order with us if you are saving half in comparison with the top major brands.



# VEVOR<sup>®</sup>

**METAL WALL FAN  
BT-WL24A/BT-WL30A**

**BT-WL24A/BT-WL30A**



<Picture Only For Reference>

## **NEED HELP? CONTACT US!**

Have product questions? Need technical support? Please feel free to contact us:

 [\*\*CustomerService@vevor.com\*\*](mailto:CustomerService@vevor.com)

This is the original instruction, please read all manual instructions carefully before operating. VEVOR reserves a clear interpretation of our user manual. The appearance of the product shall be subject to the product you received. Please forgive us that we won't inform you again if there are any technology or software updates on our product.

# Contents








- I、SAFETY PRECAUTIONS
- II、PRODUCT DESCRIPTION
- III、INSTALLATION
- IV、HOW TO USE
- V、CLEANING
- VI、TROUBLE SHOOTING

## Safety precautions










**WARNING:** Read all safety warnings, instructions, illustrations and specifications provided with this electrical appliances. Failure to follow all instructions listed below may result in electric shock, fire and/or serious injury.

**Save all warnings and instructions for future reference.**

 <b>WARNING</b>	Improper operation may cause personal injury. Improper operation may cause damage to the machine. Improper operation may cause others object damage.
	The symbol indicates that the user should pay high attention to and pay attention to the drawing shows the situation to be noted, and the left figure shows "Be careful of electric shock".
	Disconnect the fan when moving from one location to another.
	Do not use a power supply that does not meet the rated voltage, the use of non compliant power supplies can cause fire or electric shock. If the supply cord is damaged, it must be replaced by the manufacturer, its service agent or similarly qualified persons in order to avoid a hazard.
	If the machine emits smoke, odor, motor noise and other abnormal conditions, please do not use it. It may cause fire or electric shock.
	Do not disassemble, repair or rectify the machine during use. Doing so may result in fire or electric shock and personal injury.
	<b>BE CAREFUL</b>



	DO NOT use fan in window. Rain may create electrical hazard.
	Do not damage or arbitrarily change the original power cord, and do not bend, forcibly pull, bind or press the power cord under heavy objects. This will damage the power cord, causing electric leakage fire or electric shock.
	If the machine is not used for a long time, please unplug the power cord from the socket.
	The connection socket must be installed with leakage protection switch device.
	Never insert fingers, pencils, or any other object through the guard when fan is running.
	When the power cord is unplugged from the socket, the plug should be unplugged. Do not pull the power cord to forcibly pull the wire, which may cause damage to the wire and lead to leakage or electric shock.
	Disconnect the fan when removing grills for cleaning. Do not leave the fan running unattended. This appliance can be used by children aged from 8 years and above and persons with reduced physical, sensory or mental capabilities or lack of experience and knowledge if they have been given supervision or instruction concerning use of the appliance in a safe way and understand the hazards involved. Children shall not play with the appliance. Cleaning and user maintenance shall not be made by children without supervision.

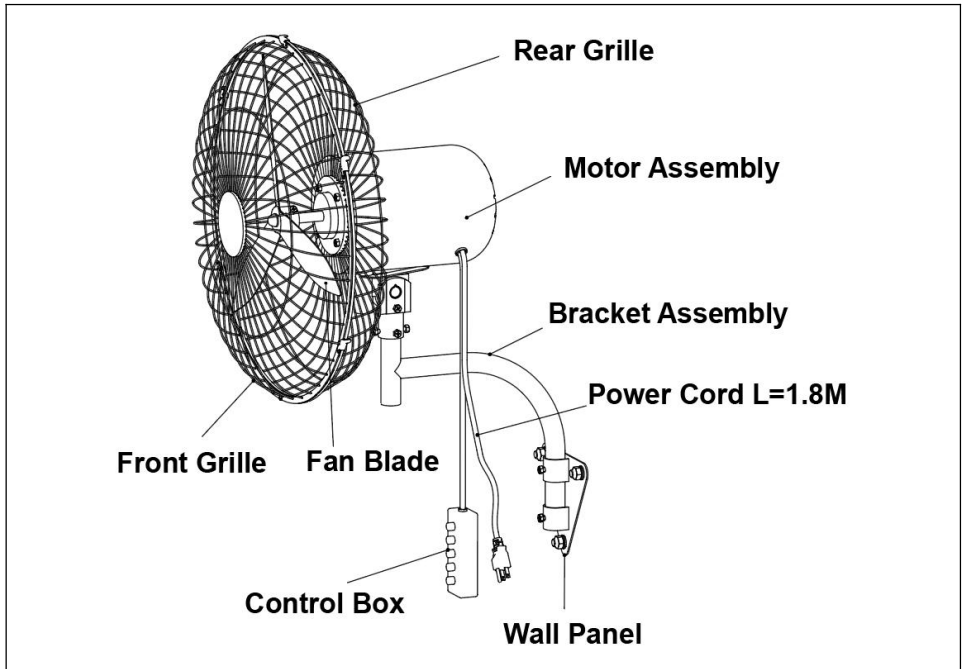
## PRODUCT DESCRIPTION

### TECHNICAL PARAMETER

<b>Brand</b>	<b>VEVOR</b>	
<b>Model</b>	BT-WL24A	BT-WL30A

<b>Voltage</b>	120 V	120 V
<b>Frequency</b>	60 Hz	60Hz
<b>Power</b>	115 W	150 W
<b>Power Cord Length</b>	1.8 M	1.8 M
<b>Net Weight</b>	8.61 Kg	10.86 Kg

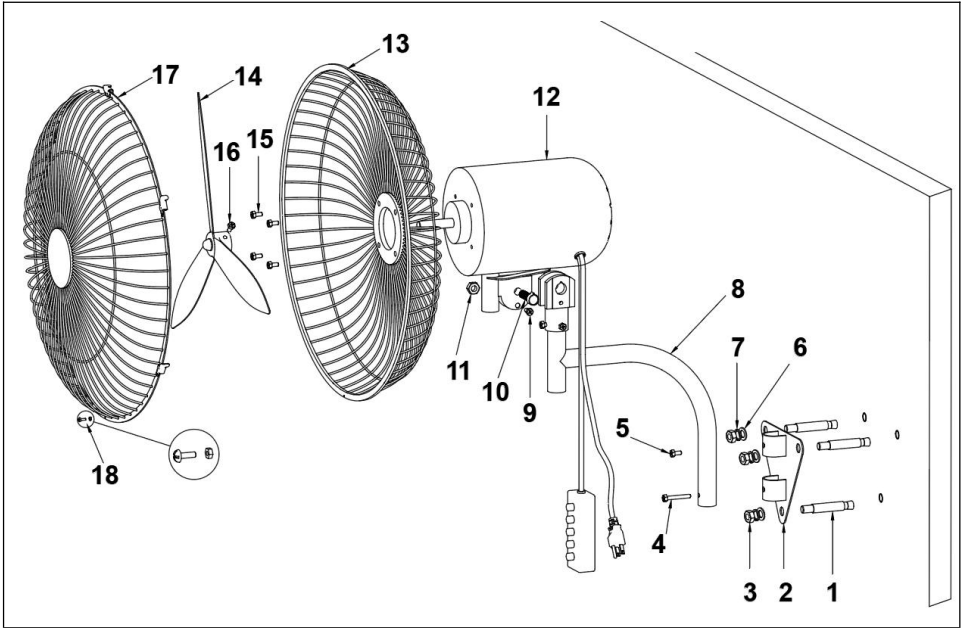
**PRODUCT STRUCTURE DIAGRAM**



**INSTALLATION**

\* **TIPS!** Prepare tools in advance:

Cross screwdriver, Small wrench, Hammer



**PARTS LIST:**

NO	PARTS	Quantity
1	Expansion Bolt	3
2	Wall Panel	1
3	Nut -A	3
4	Bracket Screw1	1
5	Bracket Screw2	1
6	Gasket	3
7	Spring Spacer	3
8	Bracket Assembly	1
9	Bracket Screw3	1

NO	PARTS	Quantity
10	Bracket Screw4	1
11	Bracket Nut1	1
12	Motor Assembly	1
13	Rear Grille	1
14	Fan Blade	1
15	Grille Screw	4
16	Blade Screw	1
17	Front Grille	1
18	Safety screw	1

**Installation method:**

### Step 1: Metal Wall panel installation

1. Use wall panels(3) to set the required fans position . Mark three mounting holes,drill three holes into the marked locations. Make sure your mounting area is structurally sound and free from obstruction.See the(Fig.1.)

2.Insert the included three Expansion Bolt (1) into the drilled mounting holes. You may need to use a hammer to secure them through the holes. See the(Fig.2.)

3.Install the wall panel (2) on the wall and lock three the nut (3). You may need to use a small wrench.See the (Fig.3.)(Fig.4.)

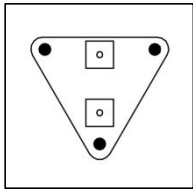


Fig.1.

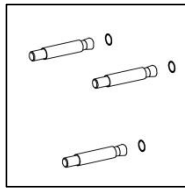


Fig.2.

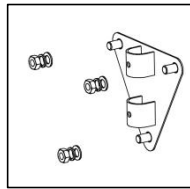


Fig.3.

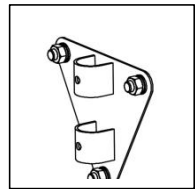


Fig.4.

### Step 2: Fan head installation

1.Remove the grille screws from the motor head.Then,fix the rear grille(13) on the motor head with the rear grille screw (15) as shown in the diagram (Fig.5.)

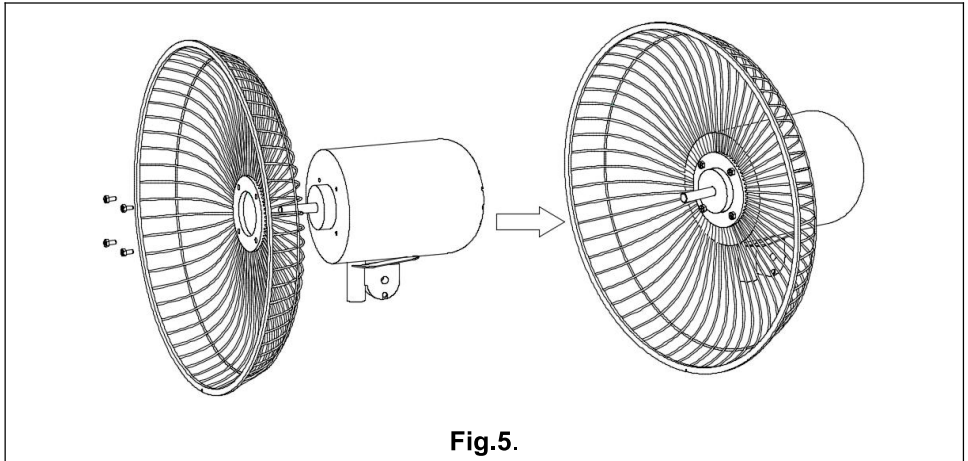
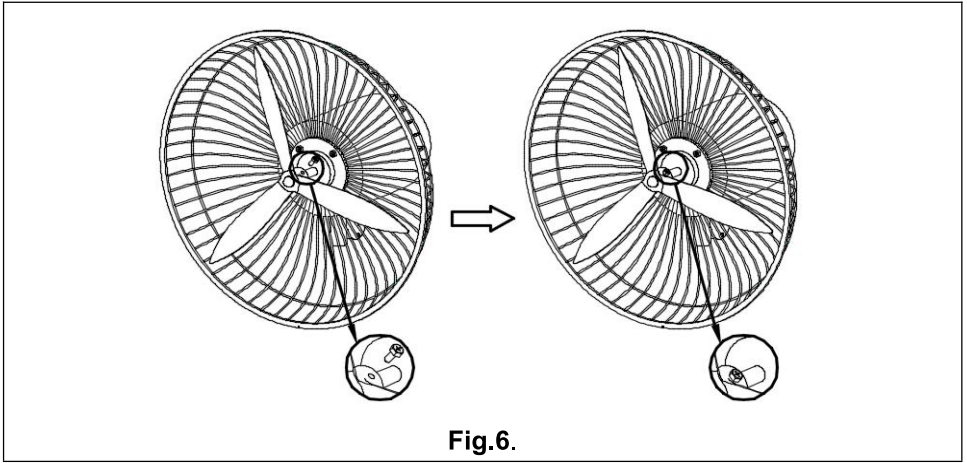
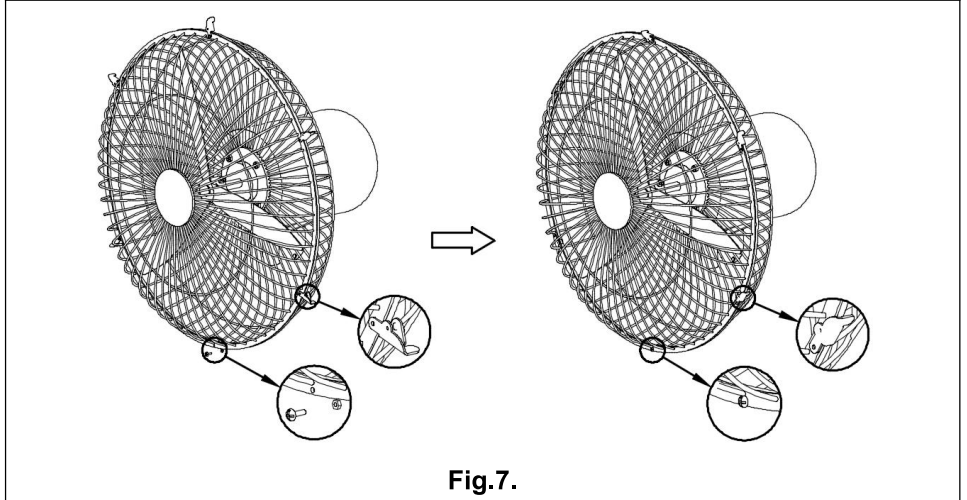


Fig.5.

2.Install the fan blade(14) on the motor shaft, and then lock the blade screw(16).See the (Fig.6.)

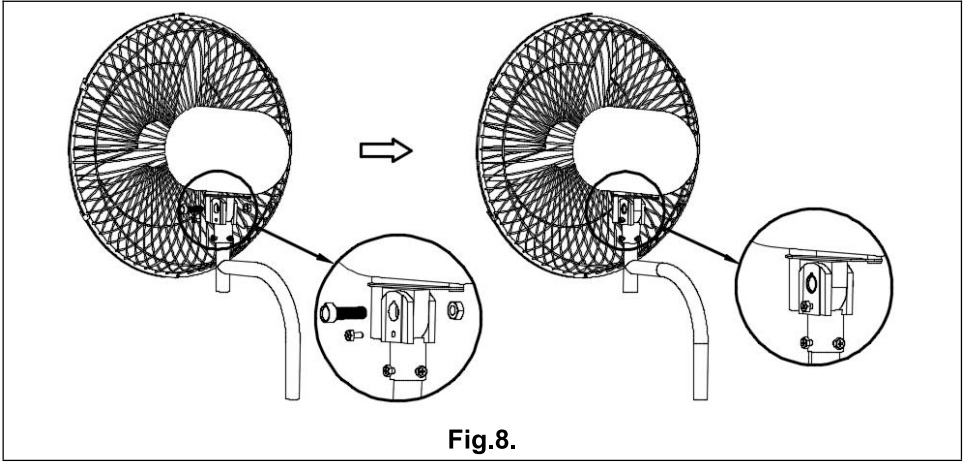


3.Align the screw holes at the bottom of the front and rear grilles, then fasten the buttons on the top of the front grille cover to the back grille cover,fasten all the grille cover button (2) , and finally lock the safety screws(18).See the (Fig.7.)

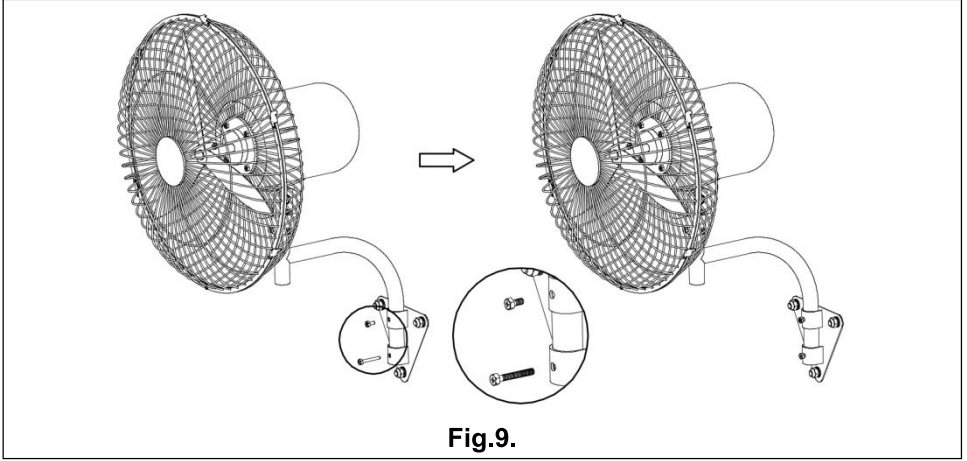


**Step 3: Fan body installation**

1.Install the fan head on the bracket, then lock the bracket screws4(10) and bracket nuts1(11), and finally lock the bracket screws3(9).See the (Fig.8.)

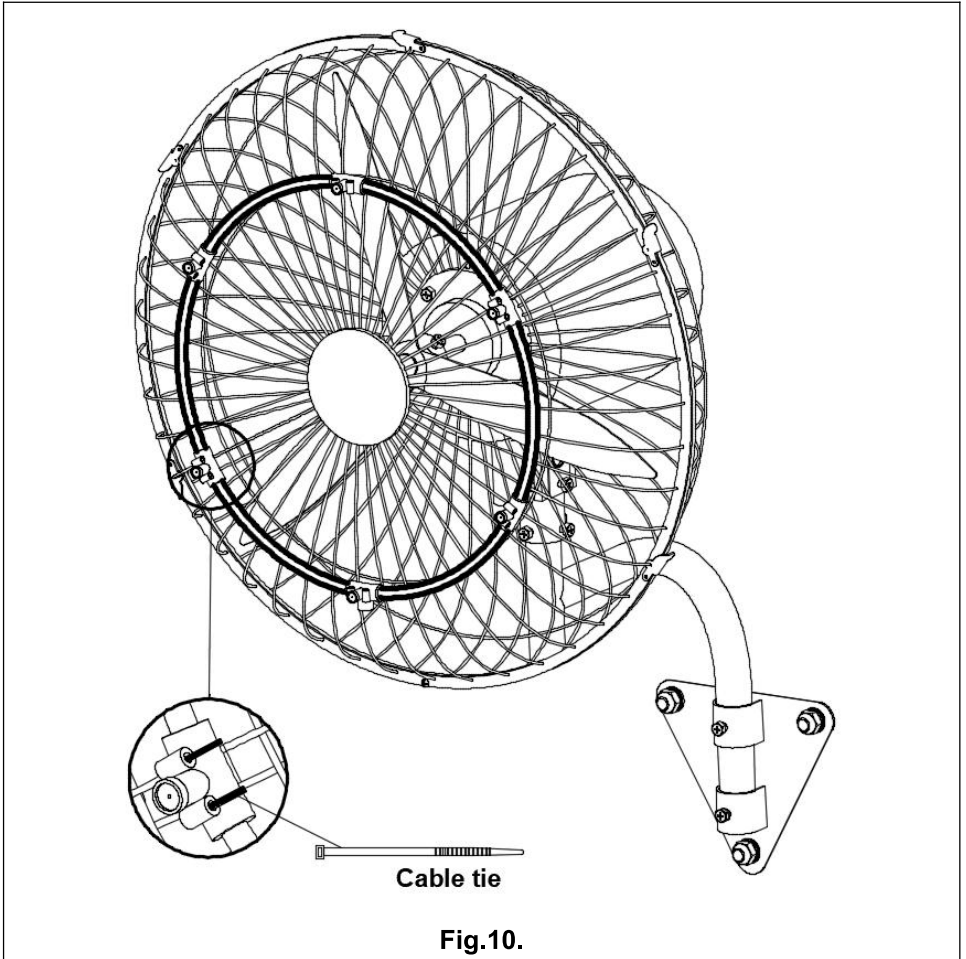


2. Install the fan body on the wall panel(2), and then lock the bracket screws1(4) and the bracket screws2 (5). Note, that the screw holes on the bracket should correspond to the screw holes on the wall hanging panel. See the (Fig.9.).



**Step 4: Installation of spray pipe(optional)**

1. Install the spray pipe on the front grille cover and fasten it with a cable tie. See the (Fig.10.)



2. Connect the water pipe to the faucet and the spray nozzle respectively, and tighten the faucet. See the (Fig.11.) Done!

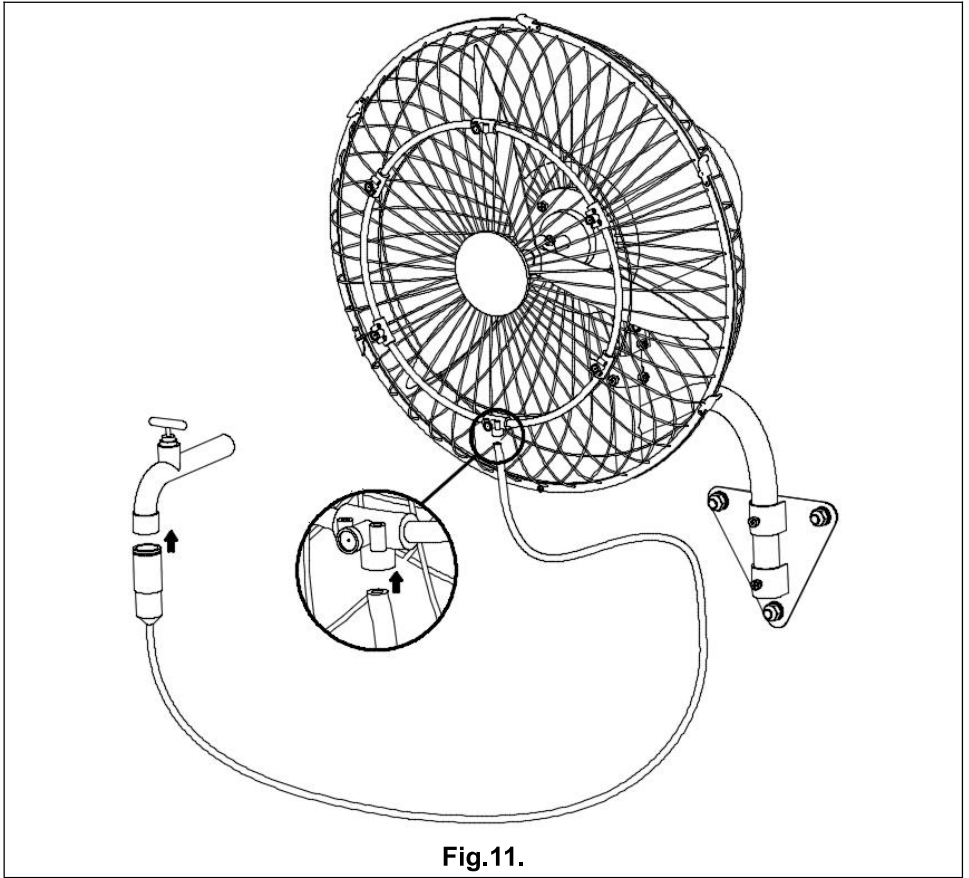


Fig.11.

## HOW TO USE

### Speed control

Press the white key to start the fan, and then select different wind speeds of gear 1, 2 and 3. Press the white key again to stop the fan.(Fig.12.)

### Oscillation

After the fan starts, press the swing key, and the fan starts to shake head. Press the swing key again, and the fan stops shakin head.See the (Fig.12.)





Fig.12.

### **CLEANING:**

- 1.Be sure to unplug from the electrical supply source before cleaning.
- 2.Plastic parts should be cleaned with mild soap and damp cloth or sponge. Thoroughly remove soap film with clean water.
- 3.Be sure not to get water or other liquid into the motor.

### **TROUBLE SHOOTING**

Q: Excessive noise

- A:1.It is normal that there is noise during operation. If too loud, please set the fan to lower speed.
- 2.Check if the blade is installed properly.

Q: Fan does not operate

A:1.Make sure the fan is connected to a powered electrical outlet.

2.Clean the blade regularly.

**Manufacturer:** Bote electric appliance(Guangdong)Co.,Ltd

**Address:** 5th floor,No.28,area 1,Sanlian Industrial Zone,Gulao Town,Heshan City,Jiangmen,Guangdong

**MADE IN CHINA**



**VEVOR<sup>®</sup>**

**TOUGH TOOLS, HALF PRICE**

Support and E-Warranty Certificate

<https://www.vevor.com/support>