

Dual Head LED Tripod Work Light Assembly & Use

PLEASE READ THESE INSTRUCTIONS CAREFULLY AND SAVE THEM, AS YOU MAY NEED THEM AT A LATER DATE.

WARNING: Failure to use with specific U.L. safety standards for the intended working environment (location/application), may cause serious personal injury, death and/or property damage. This product must be assembled by a person qualified and familiar with the operation and the intended use of this fixture.

Warning: For 120V 60Hz use only.

Safety Information:

- 1) If an extension cord is used with this unit, it must be the grounded 3-prong.
- 2) Ground Fault Interrupt (GFCI) protection must be provided on circuit(s) or outlet(s) to be used for outdoor or wet location use with this work light.
- 3) Avoid touching the lighted area to protect you from any heat exposure.
- 4) Do not look directly into light to avoid injury to the eyes.
- 5) Always keep the work light away from any flammable material or surfaces. Never use it around volatile liquid.
- 6) Do not use extension cord near any place where water may accumulate.
- 7) Keep work light away from pools and spas.
- 8) When plugging in unit to cord plugs (EX1 provided), keep enough slack on the cord so it cannot be pulled, which may knock over the work light.
- 9) Make sure to put tripod in a flat secure place to avoid it from tipping or falling over.

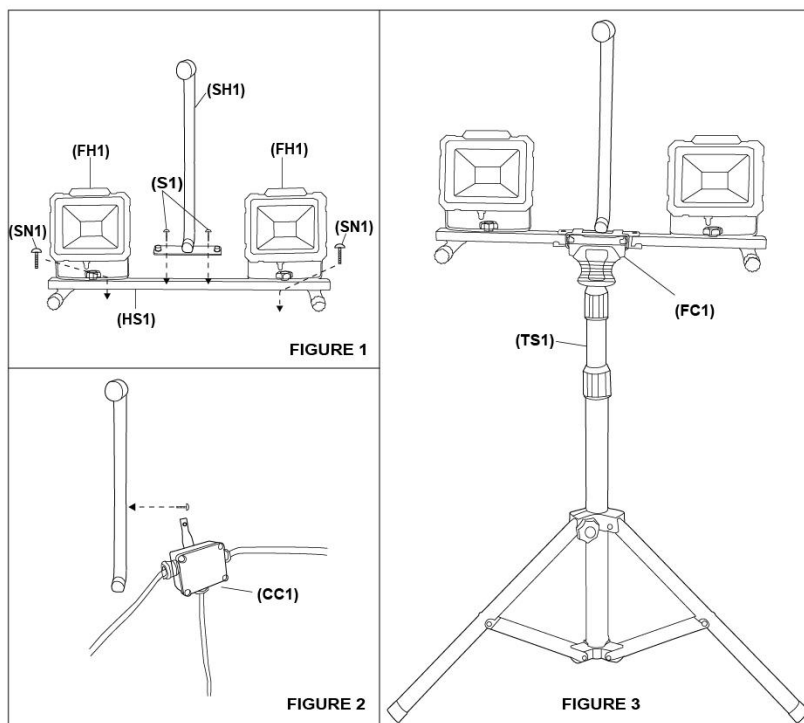
Part Included: See drawing.

- 1) Two Flood Heads (FH1)
- 2) Two Screws (S1)
- 3) Two Short Screw Knobs (SN1)
- 4) Fast connection Tripod to Stand (FC1)
- 5) Tripod Stand (TS1)
- 6) Hand Held Stand (HS1)
- 7) Stand Holding Bar (SH1)
- 8) Multi Head Cord Connector (CC1)

IMPORTANT NOTE: The safeguards and Instructions appearing in this page, are not meant to cover all possible conditions and situations that may occur. It may be understood that common sense, cautions and care are factors which cannot be built into any product. The person(s) installing, operating is responsible for the work light, must execute these common sense factors.

WARRANTY:

This product is warranted to be free of defect in material and workmanship, for a period of 3 year. This warranty starts from the date of purchase by the consumer. Please return the product with a warranty request on a 3x5 card with the original purchase receipt to Cyber Tech Lighting Inc(Cyber), 331 S. Hale Ave. Fullerton, CA 92831 USA. This fixture warranty is limited to repairing or replacing the unit, which Cyber determines to be defective. Damages caused by abused, misused is not covered. In no event shall Cyber be liable for any indirect, incidental, consequential, special or exemplary damages or loss of profits even if Cyber has been advised of the possibility of such damages. Warranty covers the cost of the product only.



Assembly:

Figure #1:

Assemble the hand held stand

- A. Attach the stand holding Bar (SH1) to the stand(HS1) Using the two screws(S1) make sure the cord is going in a downward direction. Tighten screws fully.
- B. Attach the two flood heads (FH1) using the two screw knobs (SN1).Tighten fully.

Figure #2:

Plug In Cord

- A. Using screws to connect the multi head cord connector (CC1) to the stand holding Bar(SH1)

Figure #3:

Attach hand held stand to the tripod stand

- A. Place the assembled hand held stand on the top of the tripod stand (TS1)
- B. Snap lock fast connector to secure hand held stand to tripod.(FC1)

Operation:

The hand held unit can be used with or without tripod stand. Disconnect fast connector to separate. Each flood head (FH1) can be adjusted independently. Loosen the small screw knobs (SN1) turn it to the desired location & tighten. Each head can also be pivoted up and down.

Cleaning & Care:

Make sure unit is not pulled or dropped. Regularly clean the unit with a non abrasive cleaner.

Dry tripod & hand head unit if any water gets on the unit.

Store in a dry and secure location.