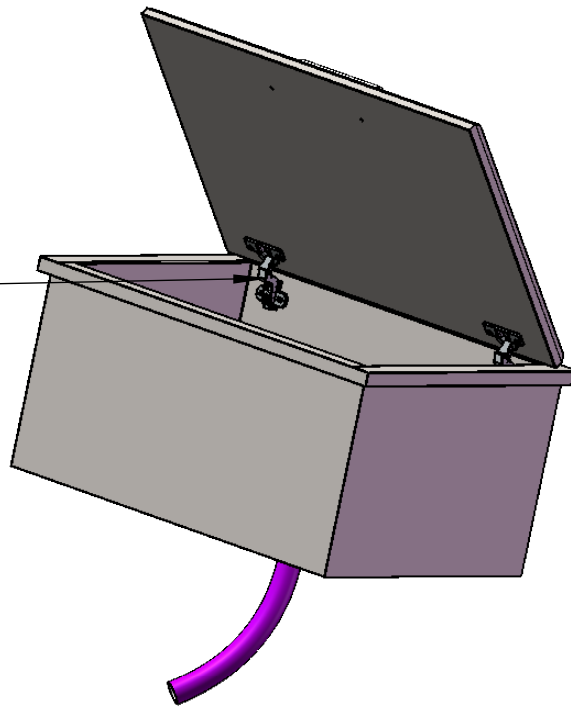


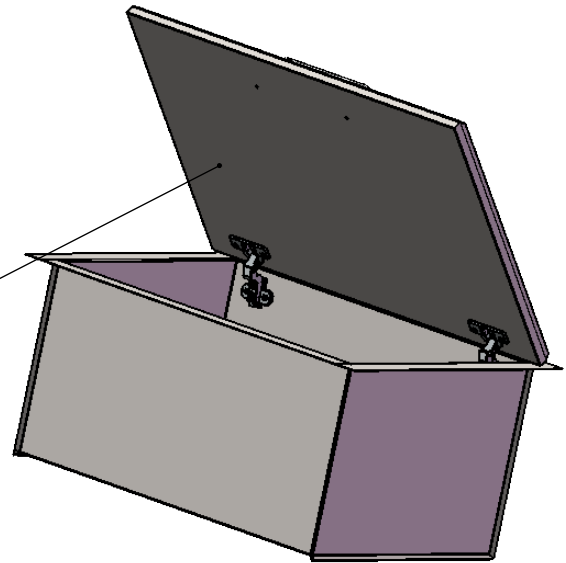
# Ice bucket instructions

1

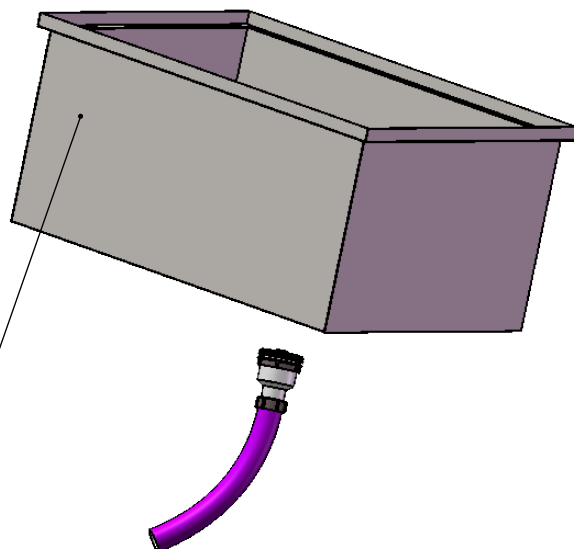
Use mute  
cushioning hinge

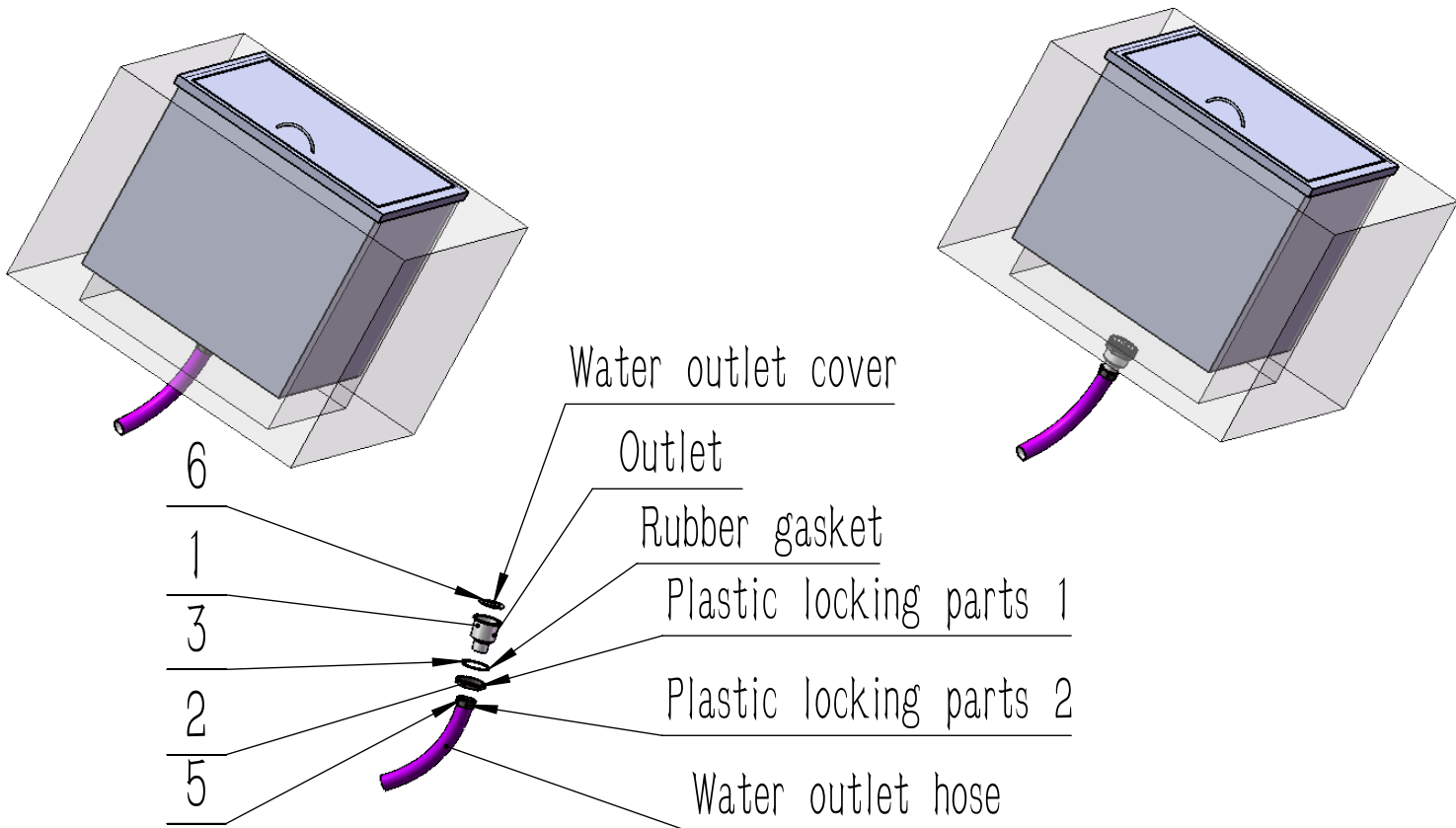


The cover is double  
layered with insulation  
cotton



The box body is designed  
as a double layer with  
insulation cotton in the  
middle layer





1; Piece 1 through the bottom of the box

2; Three sets of parts one locking piece two

3; Locking five

## Maintenance and operation instructions

1. The product is made of 304 stainless steel, which is cleaned, dried and stored immediately after use because of the floating rust caused by the hydra of high-speed iron

2 if the bottom of the wine cabinet often dissolved minerals can be diluted with the vinegar to remove the water rinse dry

3 Be aware that household products containing fluoride, bleach, silver and sulfur-containing detergents are potentially harmful to wine cabinets

4. If the soldering iron solvent contact with the product must immediately soak the product