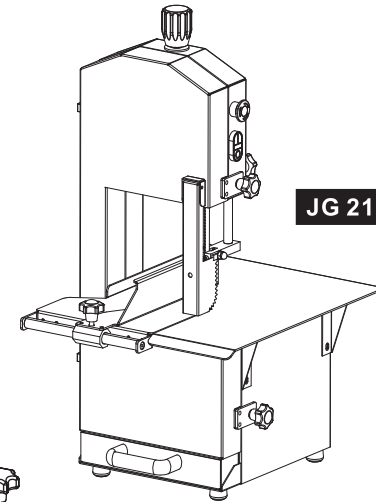
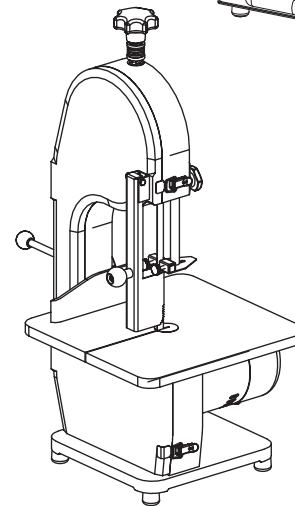


ELECTRIC BONE SAW

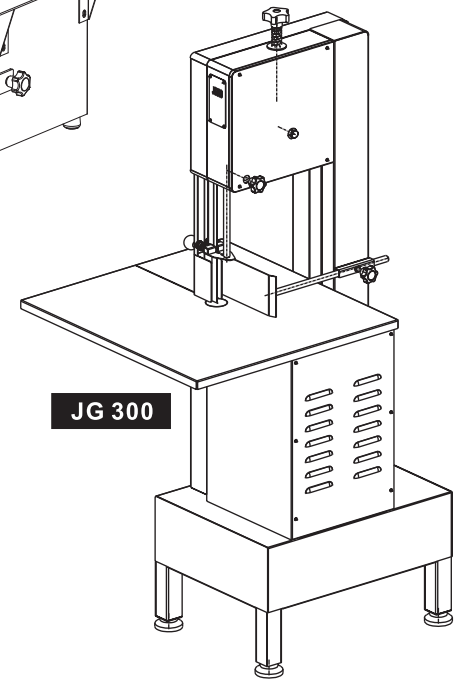
OPERATION MANUAL



JG 210X



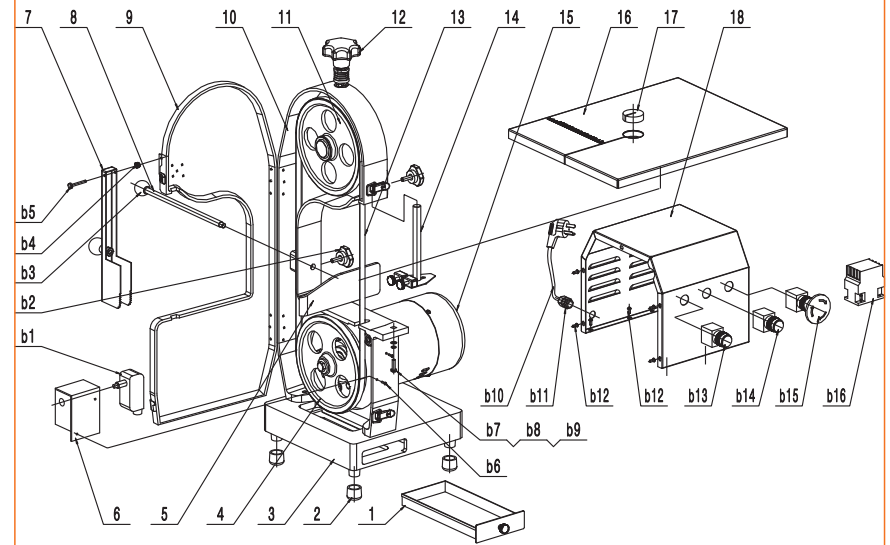
JG 210



JG 300

Please read this manual carefully before use!

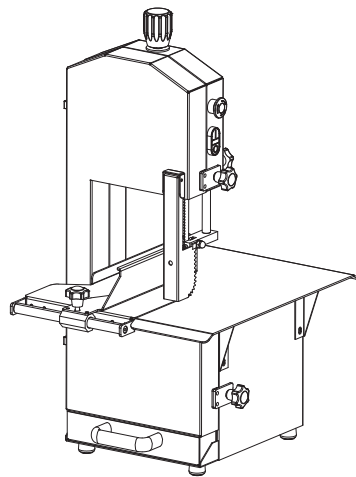
EXPLOSIVE VIEW
JG210 SERIES



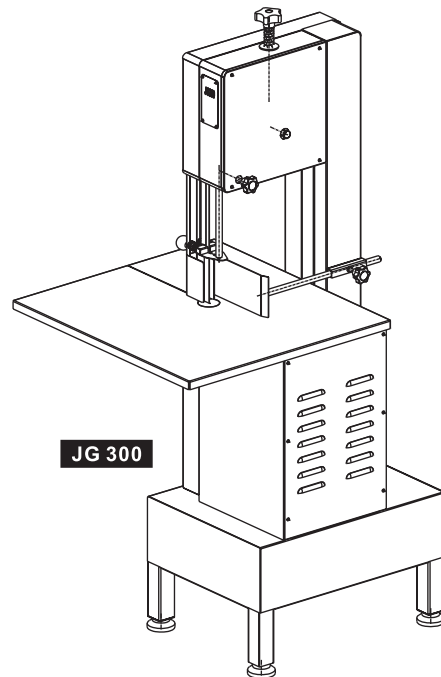
NO	DESCRIPTION	NO	DESCRIPTION	NO	DESCRIPTION
1	Sawdust container	2	Rubber feet	3	Bottom plate
4	Action wheel	5	Protect plate	6	Limited switch set
7	Pusher	8	Adjust part	9	Main body cover
10	Main body	11	Driven wheel	12	Adjust screw
13	Blade	14	Blade limited set	15	Motor
16	Work table	17	Blade block	18	Motor cover
B1	Magnetic switch	B2	Adjust screw	B3	Bakelite handle part
B4	Net M5	B5	Screw M5x40	B6	Cross screw M6x10
B7	Screw M8x30	B8	Spring washer	B9	Washer
B10	Plug	B11	Strain relief seal	B12	Cross screw M5x10
B13	Start bottom	B14	Stop bottom	B15	Emergency stop
B16	AC contactor				

TECHNICAL SPECIFICATIONS:

Model	JG210X	JG210XP	JG300
Voltage	110/220V	110/220V	110/220/380 V
Frequency	50/60Hz	50/60Hz	50/60Hz
Input Power	950W	950W	1800W
Out Power	850W	850W	1500W
Wheel Diameter	210 mm	210 mm	300 mm
Blade Length	1650 mm	1850mm	2400mm
Blade Speed	15/19 m/s	15/19 m/s	11.5/13.6 m/s
Table Size	445x600 mm	445x600 mm	712x662 mm
Table Material	304 S.S	304 S.S	304 S.S
Cutting Thickness	4-180 mm	4-180 mm	30-250 mm
Sawdust Container	√	√	√
Product Size	46x55x90cm	46x55x100cm	85x70x166cm
Product Weight	53 KG	56 KG	103 KG



JG 210X / JG 210XP



JG 300

Safety notices

- Please read these instructions carefully and use the device only for food processing.
- Persons with physical, sensory or mental abilities may not use the device unless they are supervised and instructed by a person responsible for your safety.
- Only place the unit out of the reach of children.
- To prevent hair, clothing or chains from getting into the moving parts, do not wear jewelry or tie long hair together while working. Always work in a concentrated manner.
- Keep all parts of the unit and accessories clean as they come into contact with food. Thoroughly clean all parts of the unit before each use.
- Do not use solvents, benzene or alcohol to clean the unit.
- Please note the maximum operating time (without interruption) of 15 minutes. Allow the unit to cool down for 5 minutes before further use.
- The machine with 3 phase motor must be checked the machine rotates in the direction indicated by the rotation mark. If direction is wrong, change the two of the three line-wire each other to make the rotation direction
- The machine with 3 phase motor must be connected to the switch of at least 3mm touch-point distance which installed by user. Rated current of the switch must be not lower than 35A.

IMPORTANT:

Avoid contact with moving parts. To prevent personal injury and property damage, make sure that: hands, hair, clothing and cooking accessories do not come into the rotating area of the appliance during use.

The bone saw is intended exclusively for meat and bone, under no circumstances for other purposes.

To avoid clogging the filling opening, do not process too large quantities at once.

If you forget to turn off the unit before unplugging the power cord, wait at least 10 seconds before restoring power.

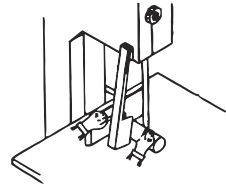
Never leave the unit unattended when the power plug is plugged in. Always unplug the power cord if you do not use the unit, move the unit, remove individual components or clean the unit.

Intended use

Make sure the machine should be placed on the level ground or desk.

Open the door cover, check if the blade and wheels fit well. Adjust the wheel by the top adjust screw. **Attention: in order to protect the saw blade teeth. The teeth need out of the wheel about 2~3mm**

According the cutting thickness request, adjust the protect plate to correct position, and start. **IMPORTANT: Remember use the pusher to protect your hand.**



Cleaning and care instructions

The machine must be thoroughly cleaned before first use. Pay particular attention to cleaning the parts that come into direct contact with food.

After use, the machine must be thoroughly cleaned to prevent the formation of bacteria. We recommend that the gears, gasket and cylinder interior are lightly moistened with cooking oil after each cleaning.

Replace the saw blade if the sawing speed is slow.

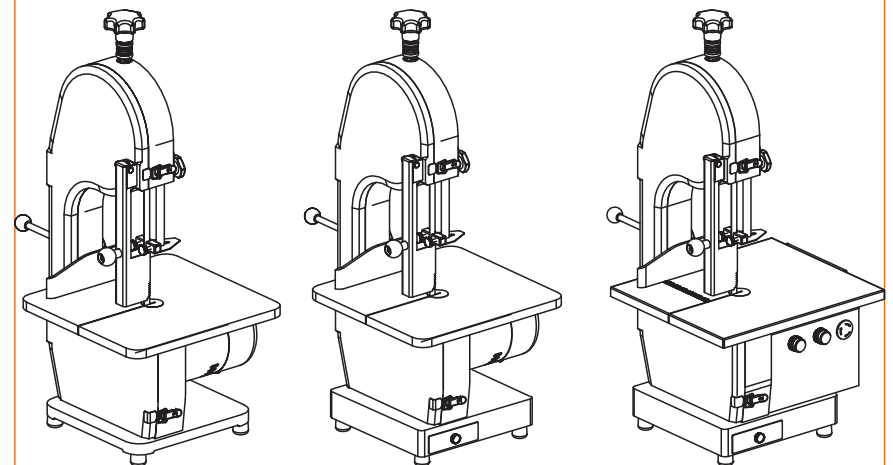
Always disconnect the mains plug before cleaning.

Environmental protection

The package materials are recyclable. Pleasures do not throw the package into the household waste but reuse it. Old devices contain valuable recyclable materials which should be recycled. For this reason, please dispose of old devices only at suitable collection points.

TECHNICAL SPECIFICATIONS:

Model	JG210	JG210G	JG210C
Voltage	110/220V	110/220V	110/220V
Frequency	50/60Hz	50/60Hz	50/60Hz
Input Power	950W	950W	950W
Out Power	850W	850W	850W
Wheel Diameter	210 mm	210 mm	210 mm
Blade Length	1650 mm	1650 mm	1650 mm
Blade Speed	15/19 m/s	15/19 m/s	15/19 m/s
Table Size	380x365 mm	465x365	465x365 mm
Table Material	Aluminum	304 S.S	304 S.S
Cutting Thickness	4-180 mm	4-180 mm	4-180 mm
Sawdust Container	/	√	√
Product Size	48x46x88cm	48x46x92cm	50x55x94cm
Product Weight	35 KG	37 KG	40 KG



JG 210

JG 210G

JG 210C